

Check here for the latest manual
Choose your model



Model 352-FL / 10x17ft



Avyna

A large, stylized orange logo for 'Avyna' is centered on the page. The logo features a thick orange outline that forms a horizontal bar across the middle of the word. The letters 'A', 'v', 'y', 'n', and 'a' are written in a fluid, cursive script. In the background, a faint grey silhouette of a person is shown performing a handstand on a trampoline, with their legs raised and arms supporting their weight.

Rectangular Trampolines

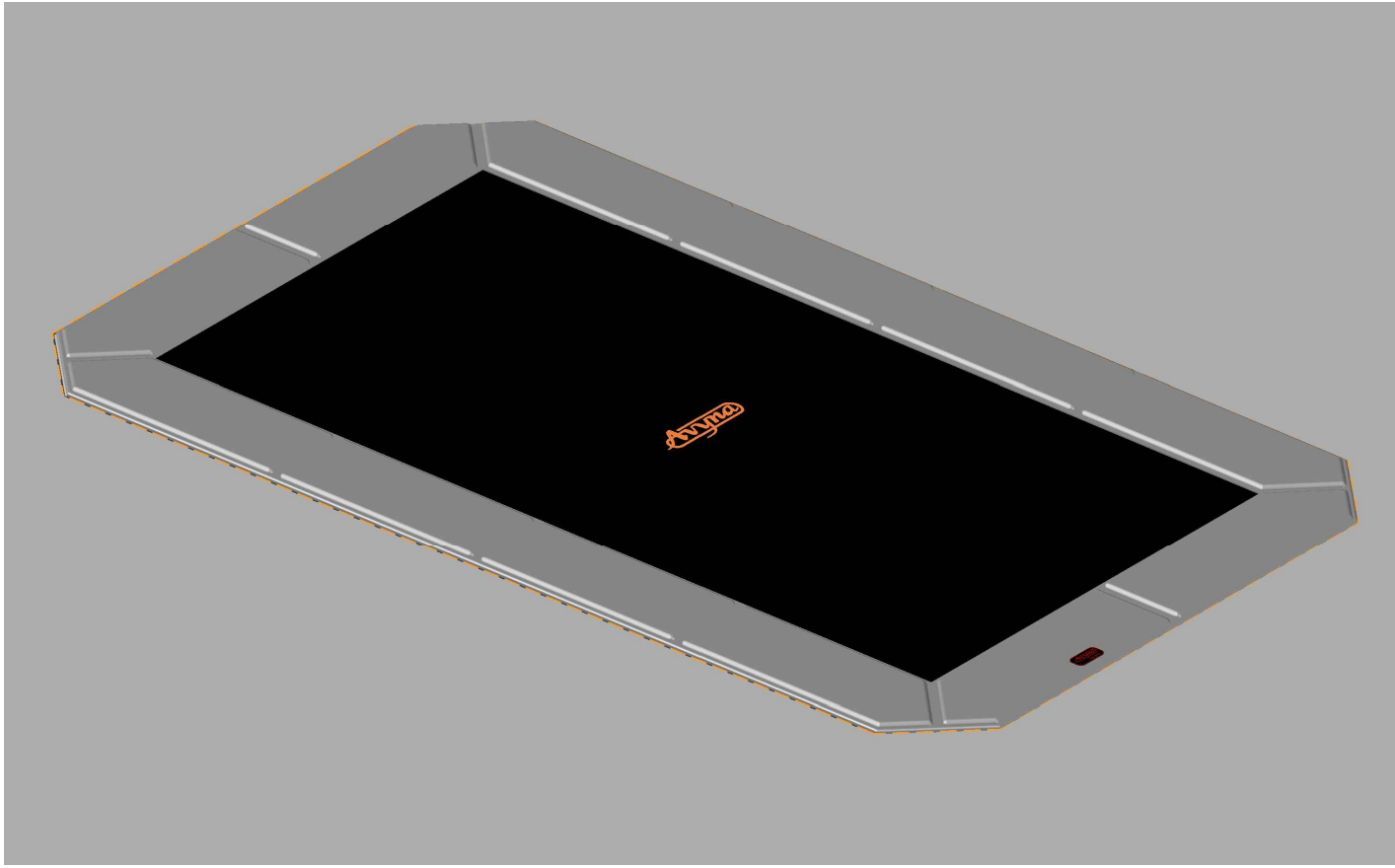
Assembly manual















Model 352-fl / 10x17ft














Model 223-fl
380x225

Model 234-fl / Model 238-fl
340x240 / 380x225

Model 352-fl
420x305

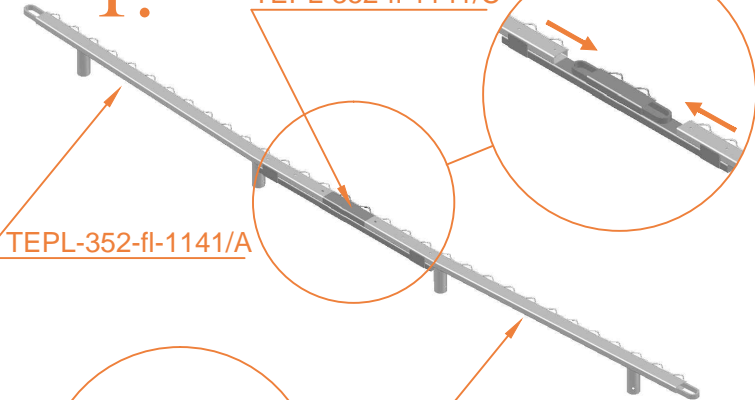


Model 352-fl APPROX 520x305cm			
Quantity	Part number		
Jumping mat	1	TEPL-352-fl-222	
Galvanized spring L=215mm Ø3.2mm	120	TEPL-200-211/A	
Galvanized spring L=140mm Ø3.2mm	8	TEPL-200-211/E	
Safety pad	1	AVBL-352-fl-333-black or AVGR-352-fl-333-grey	
Fastener for safety pad (Attached to pad already)	24	TEPL-ELAS-B	
I-tube	6	TEPL-352-fl-802 / A	
I-tube	2	TEPL-352-fl-802 / B	
C-tube	2	TEPL-352-fl-1142 / A	
C-tube	2	TEPL-352-fl-1142 / B	
K-tube	2	TEPL-352-fl-1141 / A	
K-tube	2	TEPL-352-fl-1141 / B	
C-tube	2	TEPL-352-fl-1142 / C	
K-tube	2	TEPL-352-fl-1141 / C	
Tool connector for ELAS-B	1	TEPL-ELAS-B	

Model 352-fl APPROX 520x305cm			
Quantity	Part number		
Plastic plate	2	352-fl-121/B	
Plastic plate	4	352-fl-121/A	
L-tube	4	TEPL-352-fl-802	
I-tube	12	TEPL-352-fl-115	
Measuring rod L = 220mm	1	2300-131/A	
Measuring rod L = 870mm	1	2300-131/B	
Parker screw	40	M4-16	
Fastener for safety pad (Attached to pad already)	24	TEPL-ELAS-D	
Wrench	1	WRENCH	
Allen key	1	ALLEN-KEY	
Tool for spring	1	TOOL-SPRING	
Screw M8	24	M8-16	
Screw M8	24	M8-70	
Users Manual	1	208010101	
Warning Card	1	208040101	
Tie rip for warning card	1	209010102	
Safety manual	1	208010301	

1.

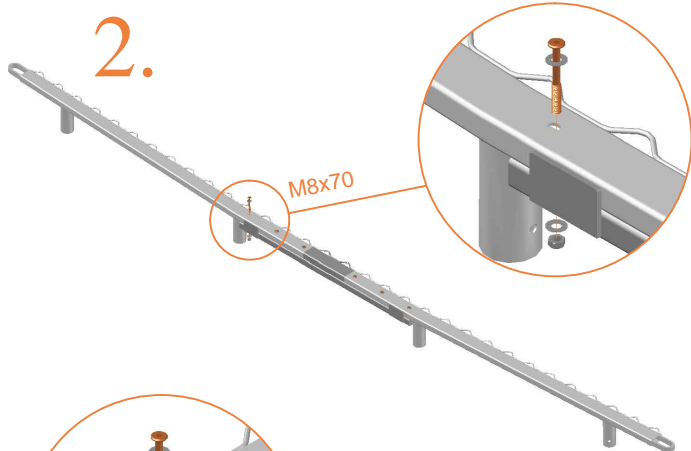
TEPL-352-fl-1141/C



TEPL-352-fl-1141/A

TEPL-352-fl-1141/B

2.

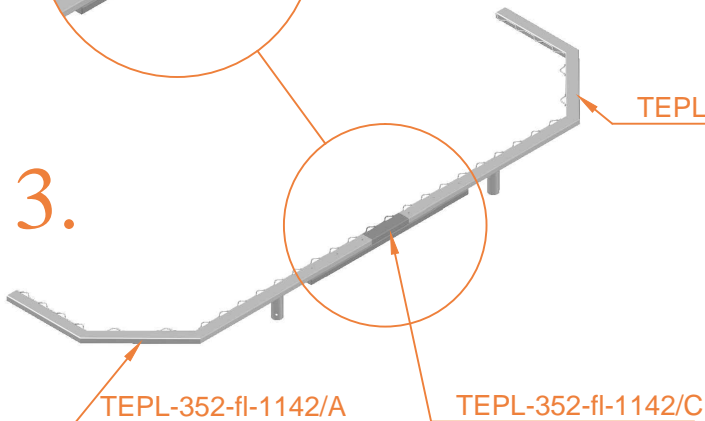


M8x70

M8x70

3.

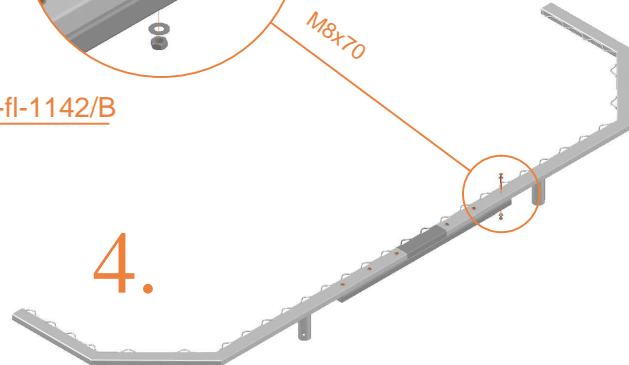
TEPL-352-fl-1142/B



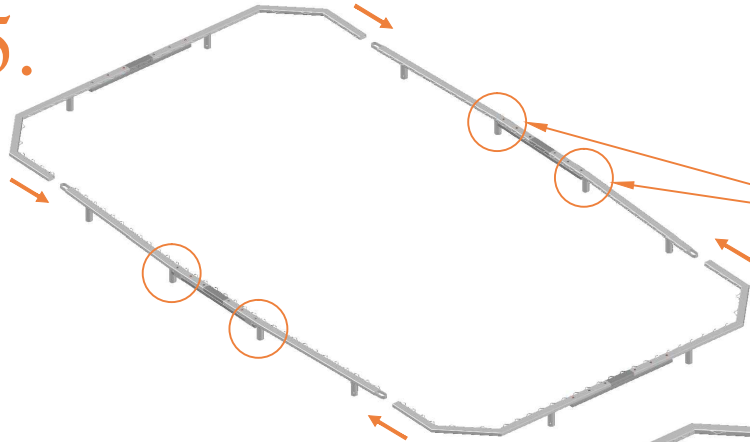
TEPL-352-fl-1142/A

TEPL-352-fl-1142/C

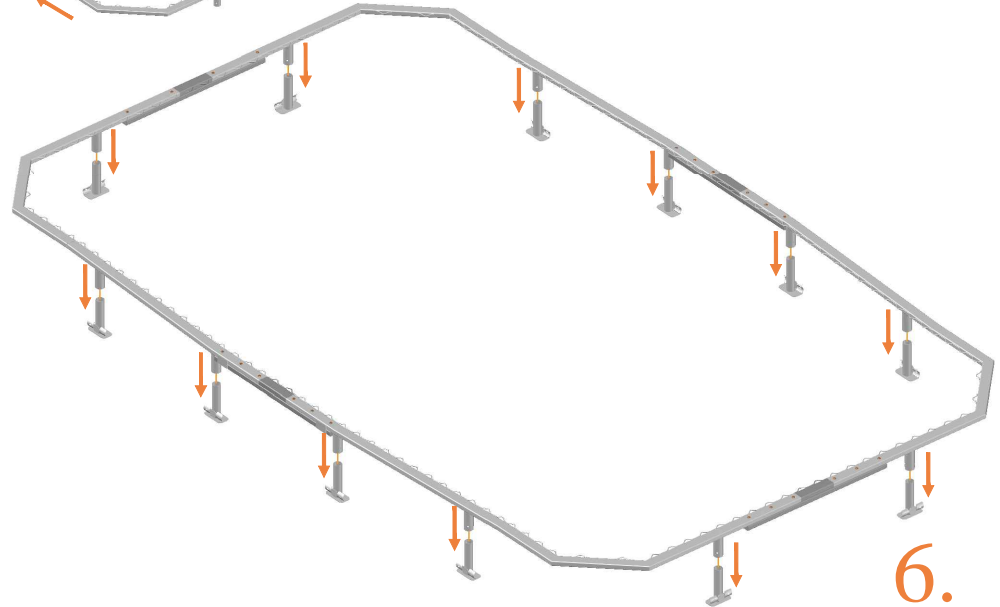
4.



5.

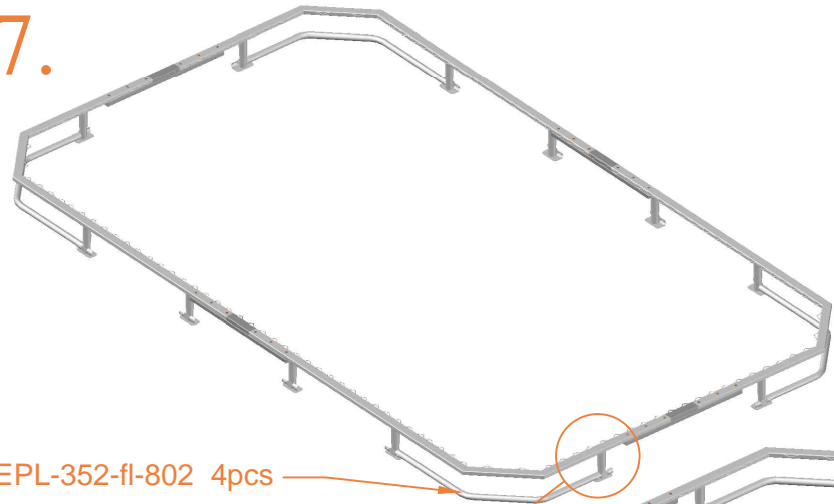


NOTE: The longer sides of the frame will appear to bow outwards - don't worry! This is by design. When the springs and mat are added on, it will disappear.

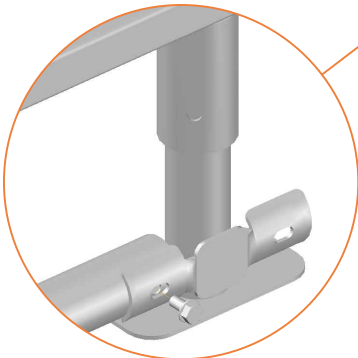


6.

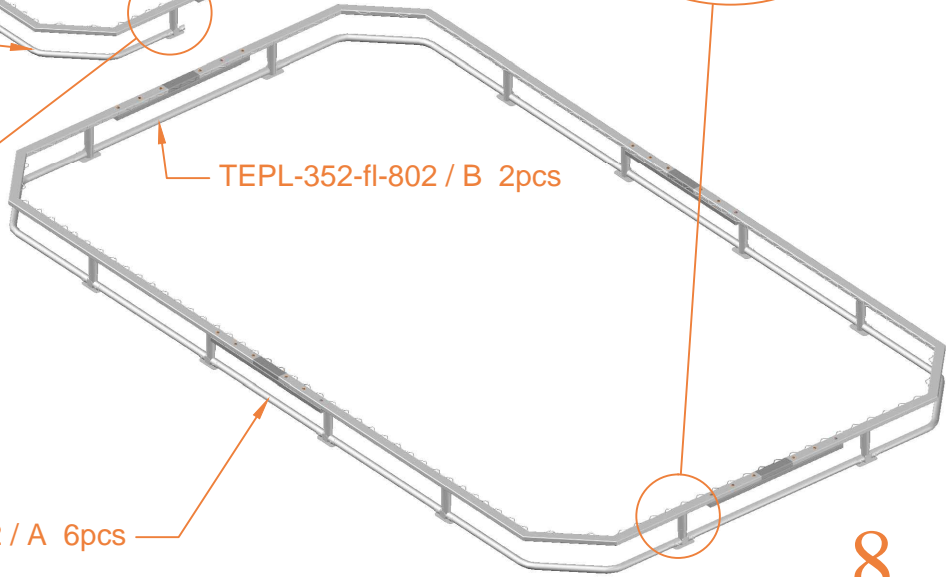
7.



TEPL-352-fl-802 4pcs



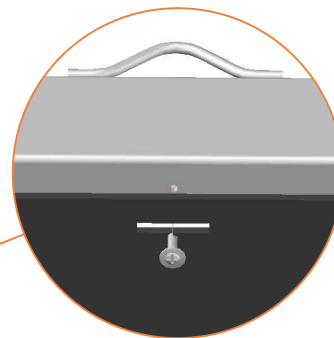
TEPL-352-fl-802 / B 2pcs



TEPL-352-fl-802 / A 6pcs

8.

9.



NOTE: if you have a trampoline with enclosure, please go first to page number 19 to install the clamps and go back to this page afterwards.

352-fl-121 / A 4pcs



10.

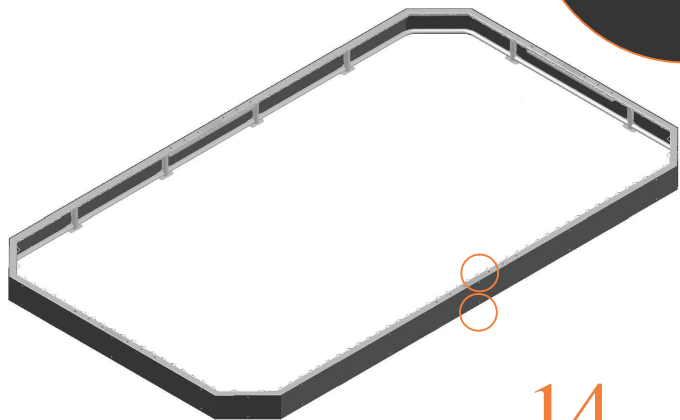
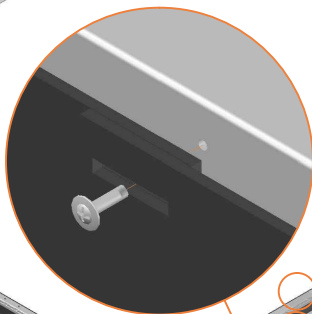
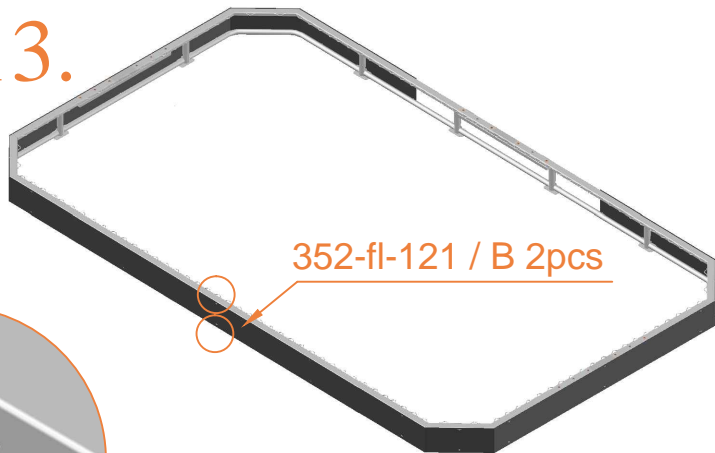


11.

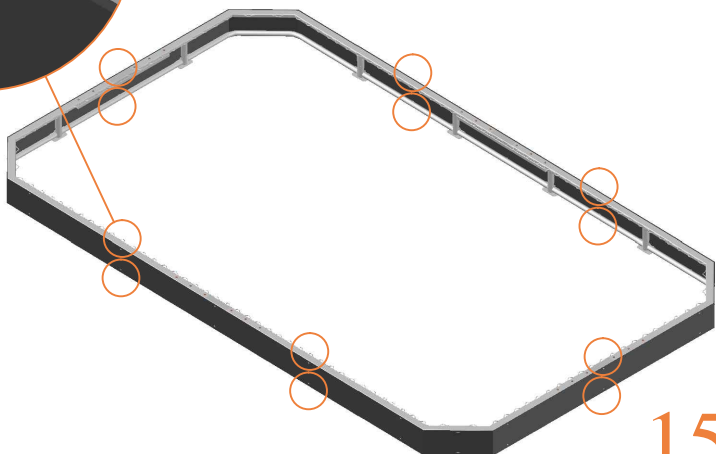
12.



13.

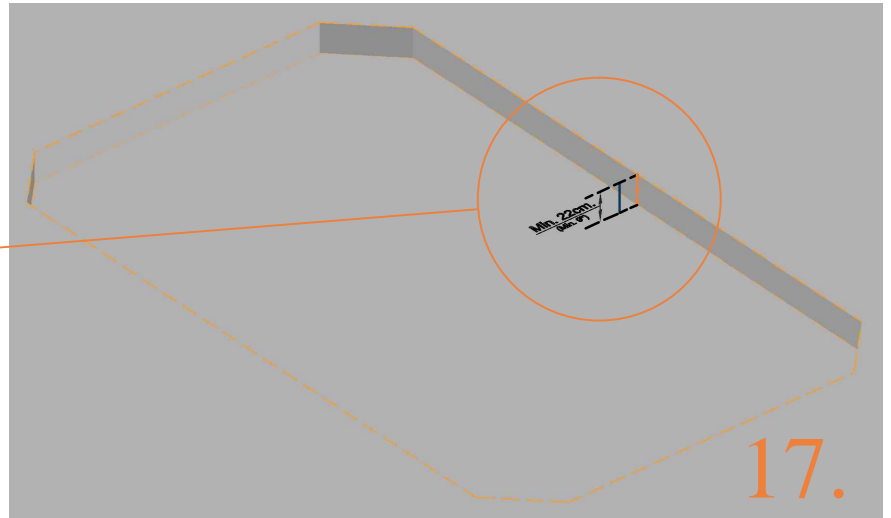
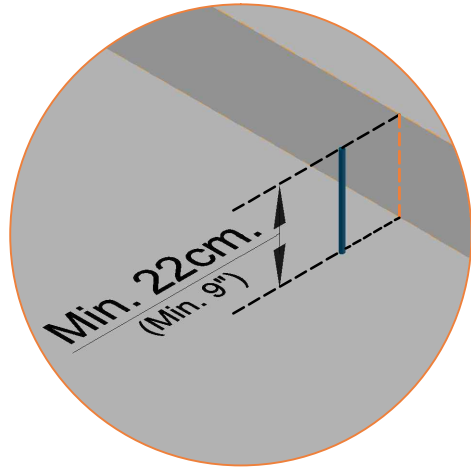
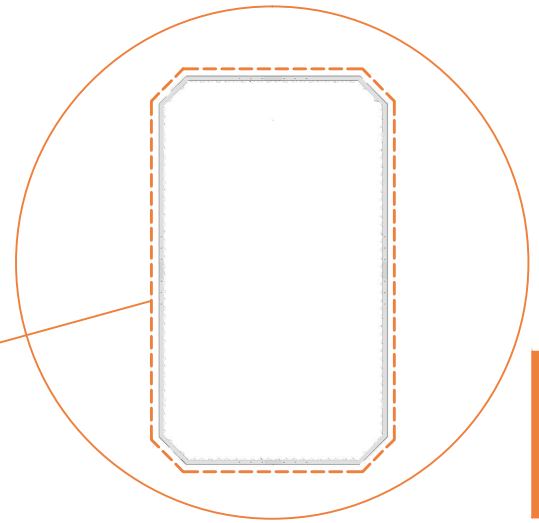
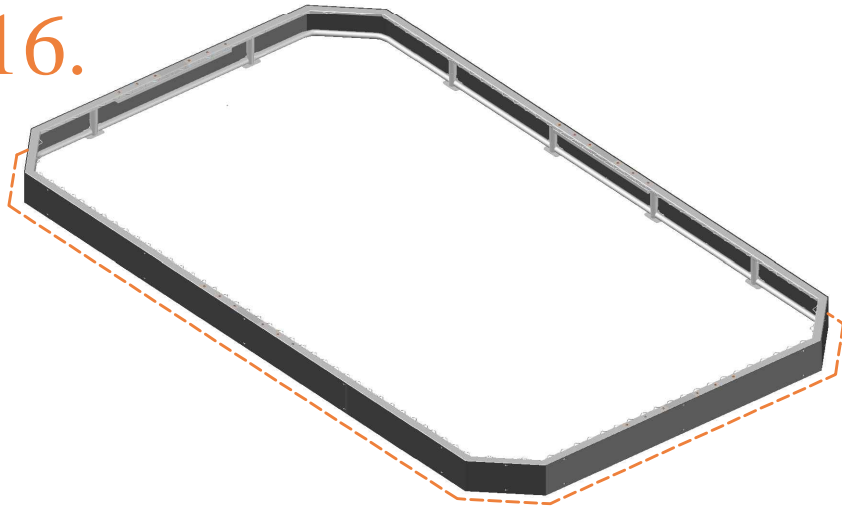


14.



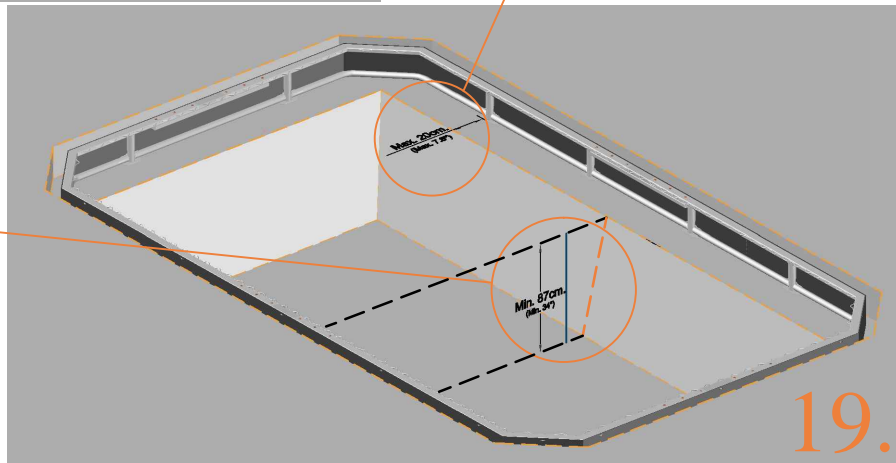
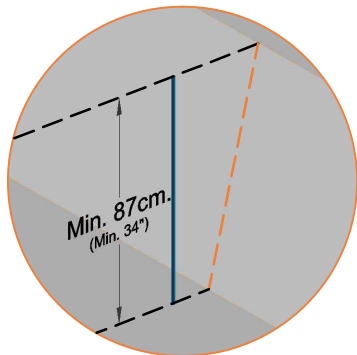
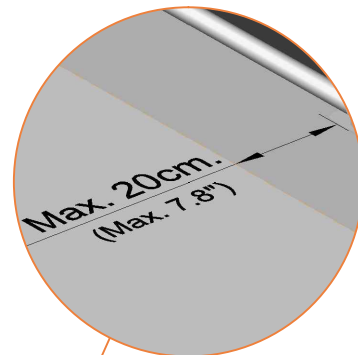
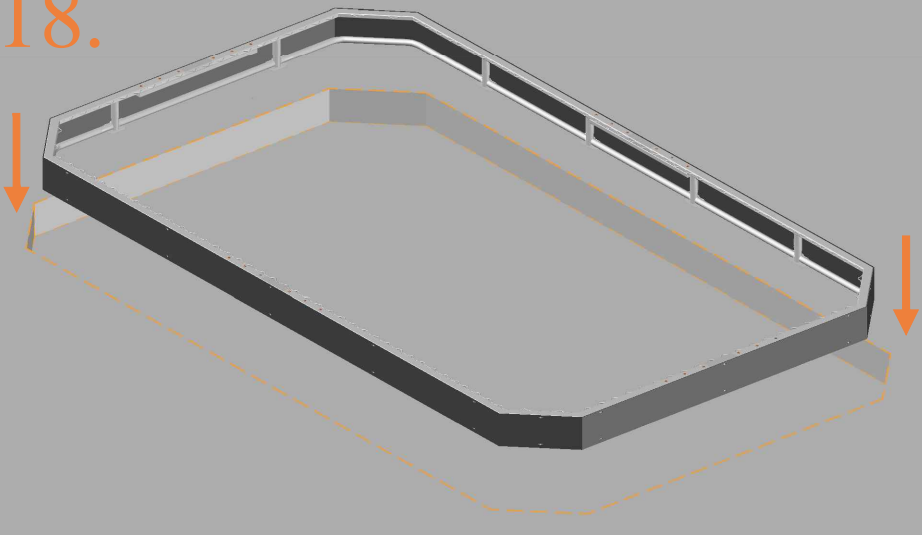
15.

16.

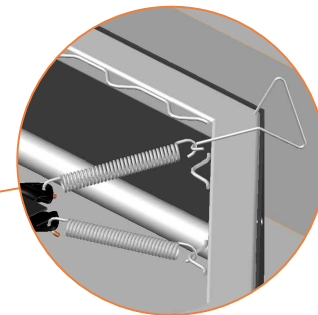
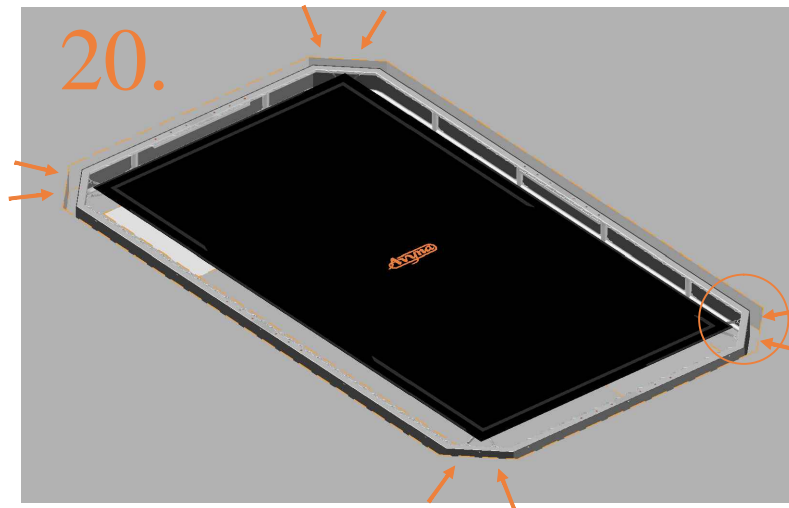


17.

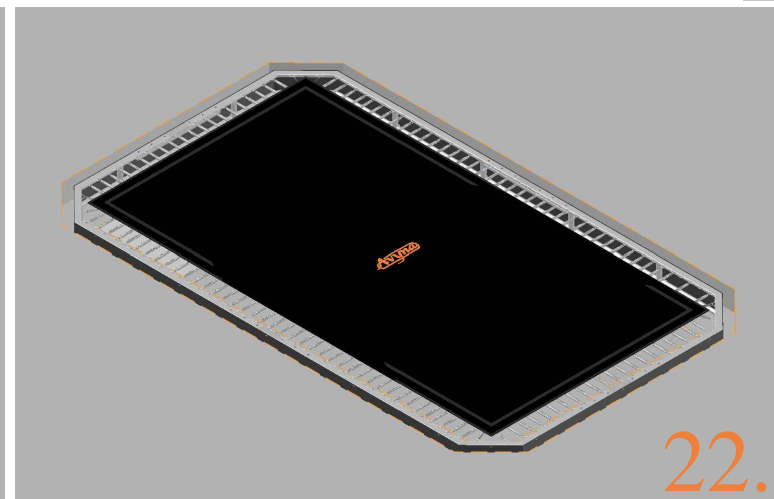
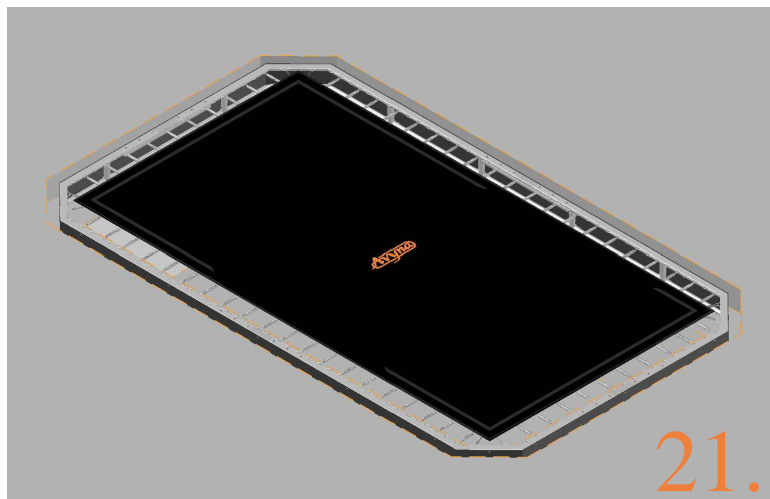
18.



19.



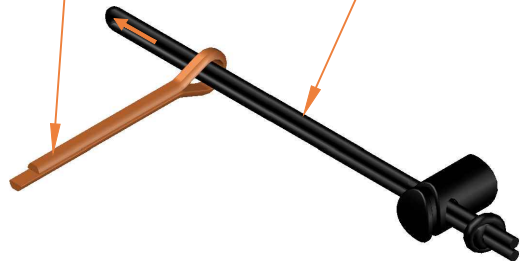
8x spring 140mm



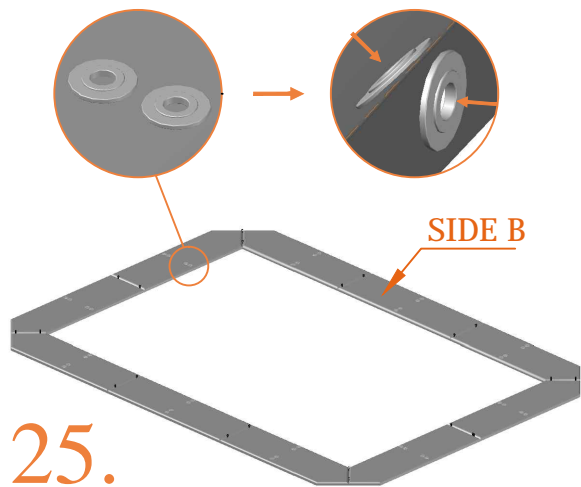
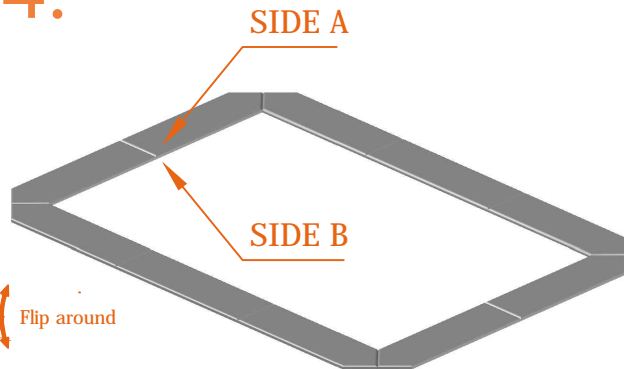
23. TOOL-ELAS-B



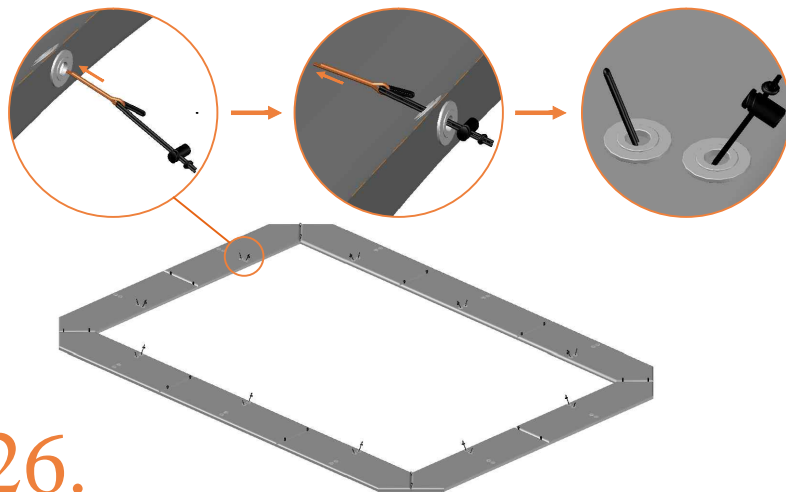
TEPL-ELAS-B

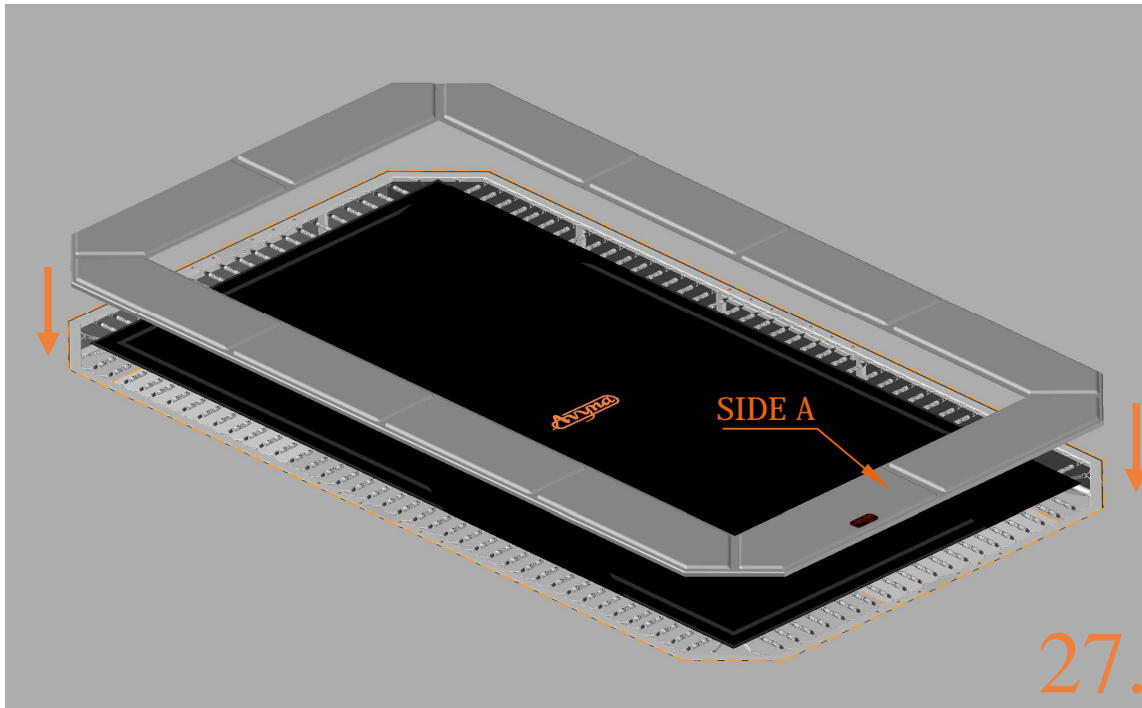


24.

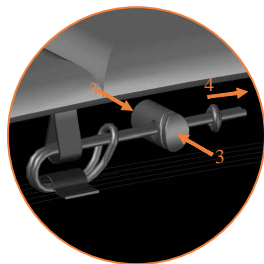
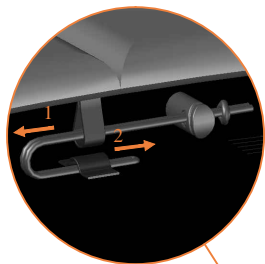


26.

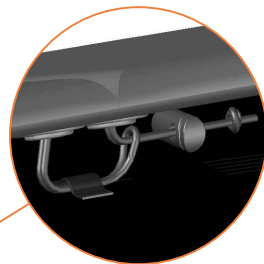




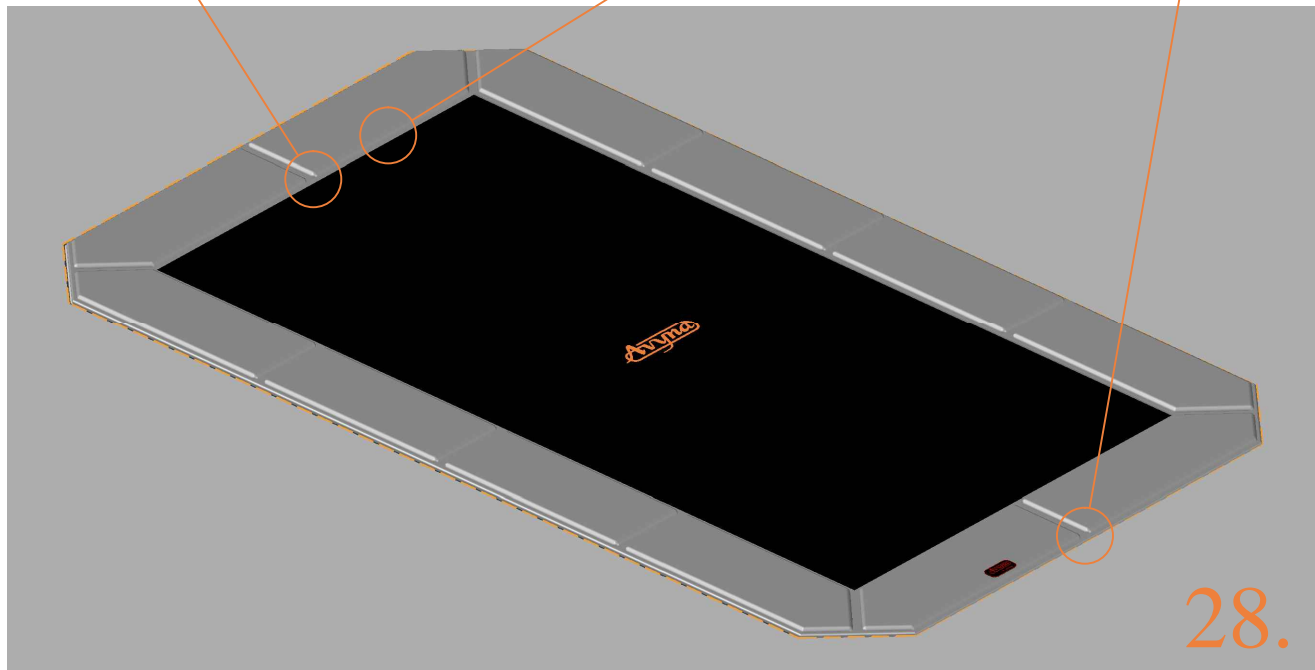
TEPL-ELAS-B



TEPL-ELAS-B

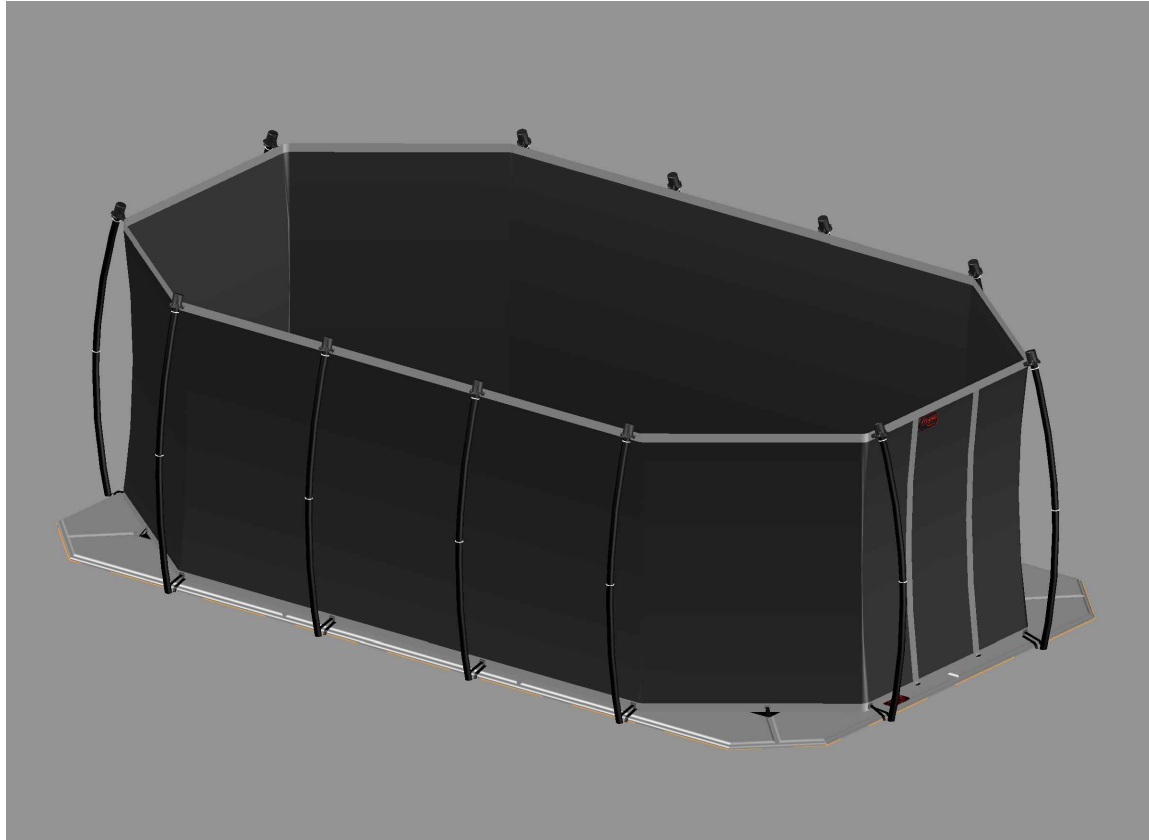


TEPL-ELAS-D



28.

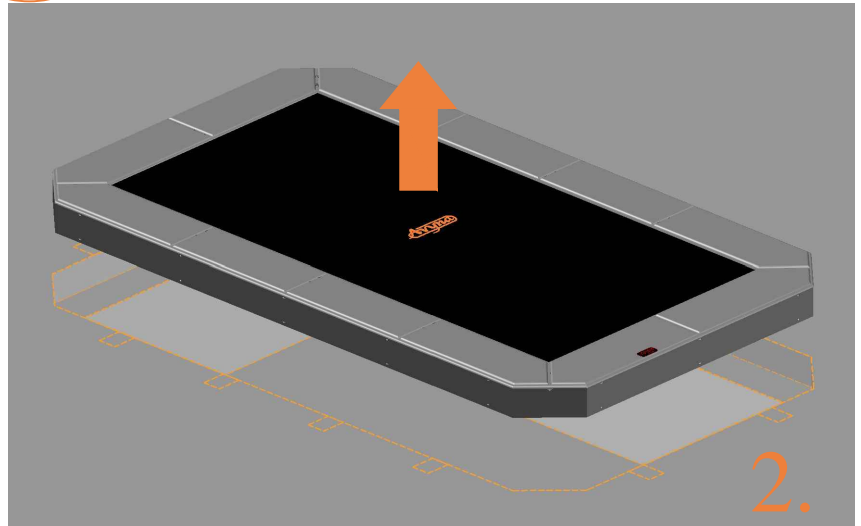
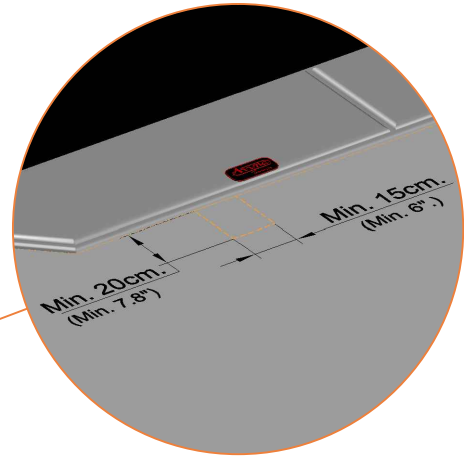
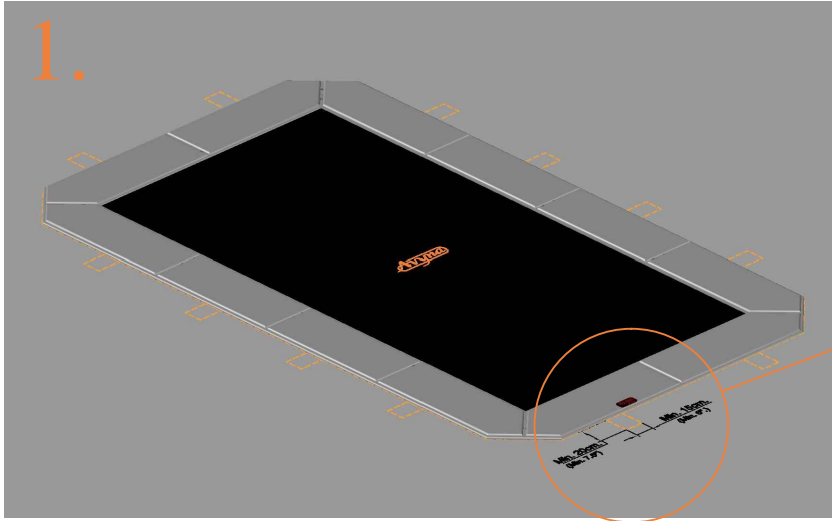
Safety net for Model 352-FL



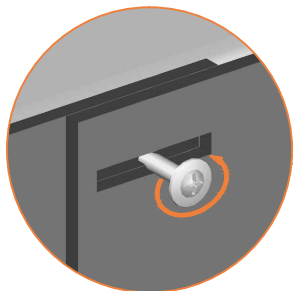
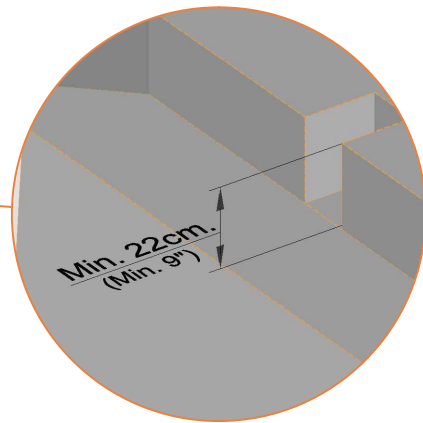
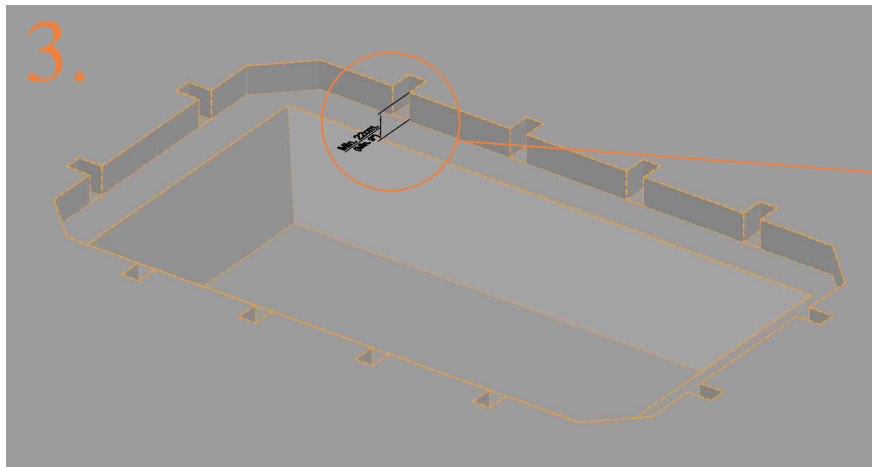
Safety net for Model 352-FL

Model 352-fl APPROX 520x305cm			
	Quantity	Part number	
Pole with sleeve for safety net	12	AVBL-352-fl-802 A	
Pole for safety net	12	AVBL-352-fl-802 B	
Clamp	12	CLAMP-TOOL-SN 352-fl	
Screw M6x30	12	M6x30	
Safety net	1	AVBL-352-fl-black or AVGR-352-fl-grey	
Straps for safety net	28	TEPL-BAND 24x short: 1,0m 4x long: 1,5m	
Closure for safety net	2	TEPL-KNOOPJE	
Screw M8	24	M8-25	
Allen key	2	ALLEN-KEY	
Wrench	2	WRENCH	

1.

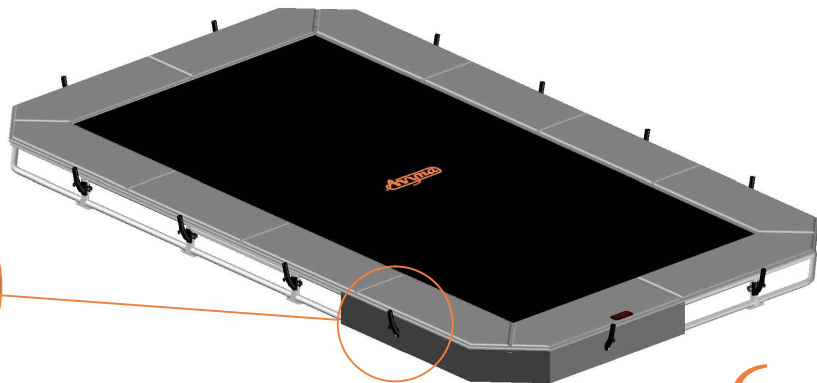
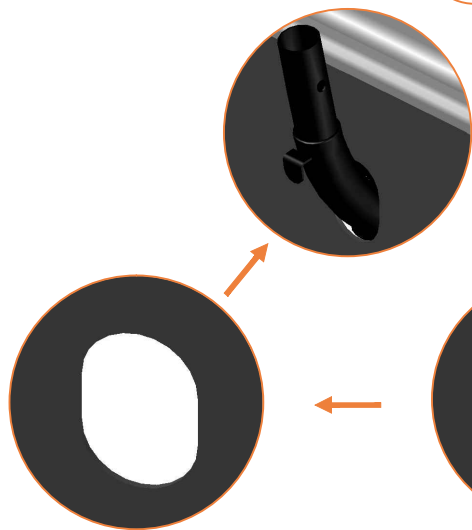
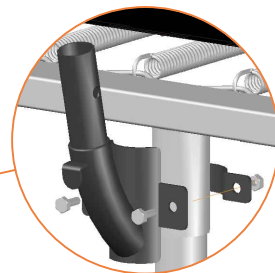
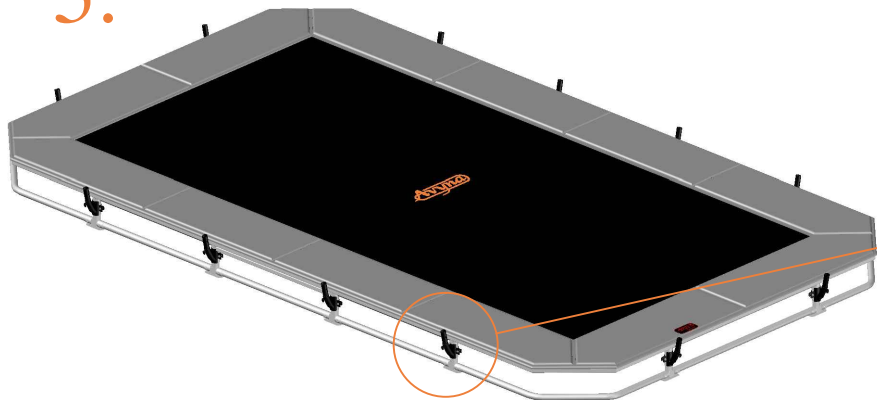


3.

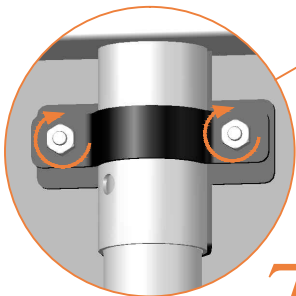
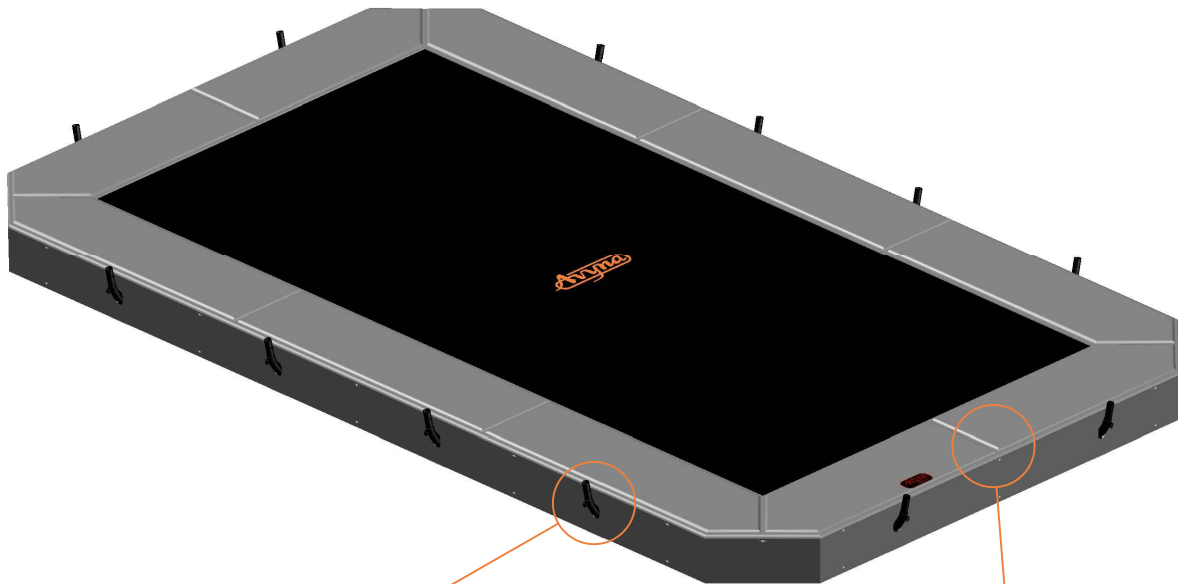


4.

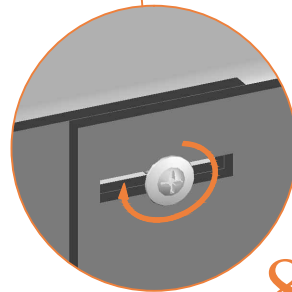
5.



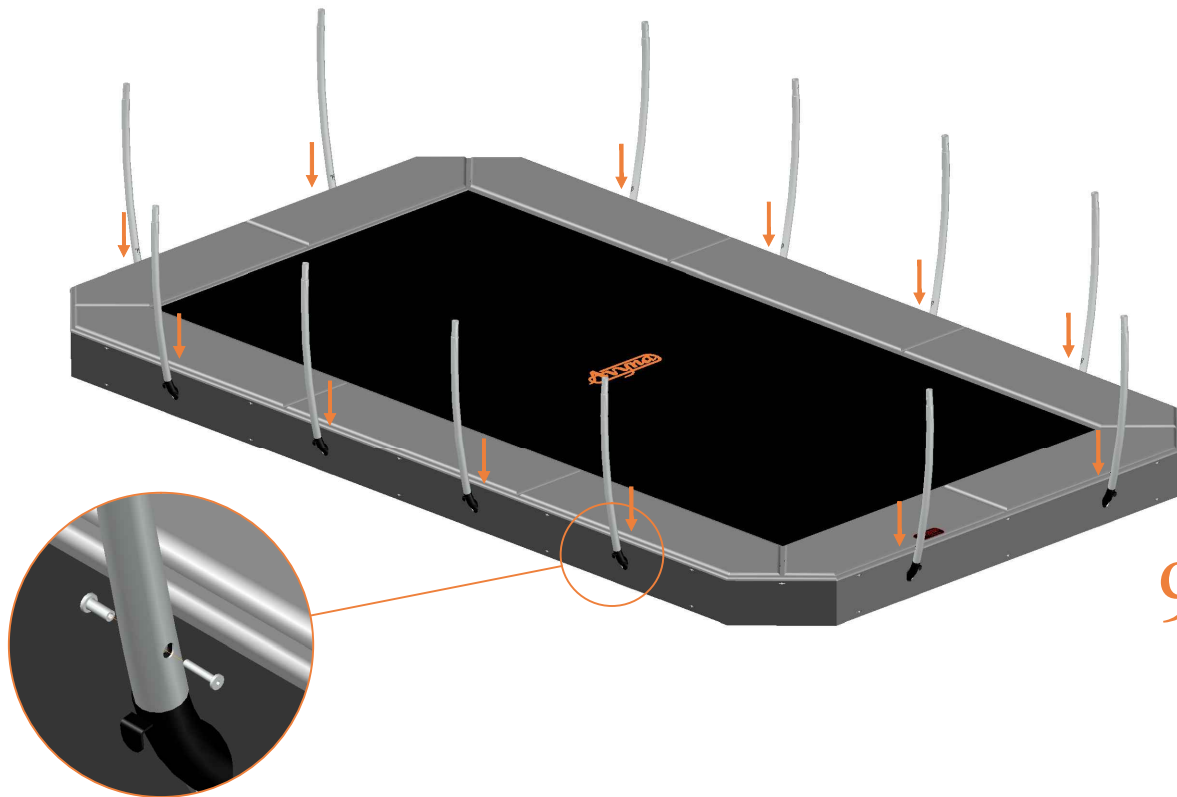
6.



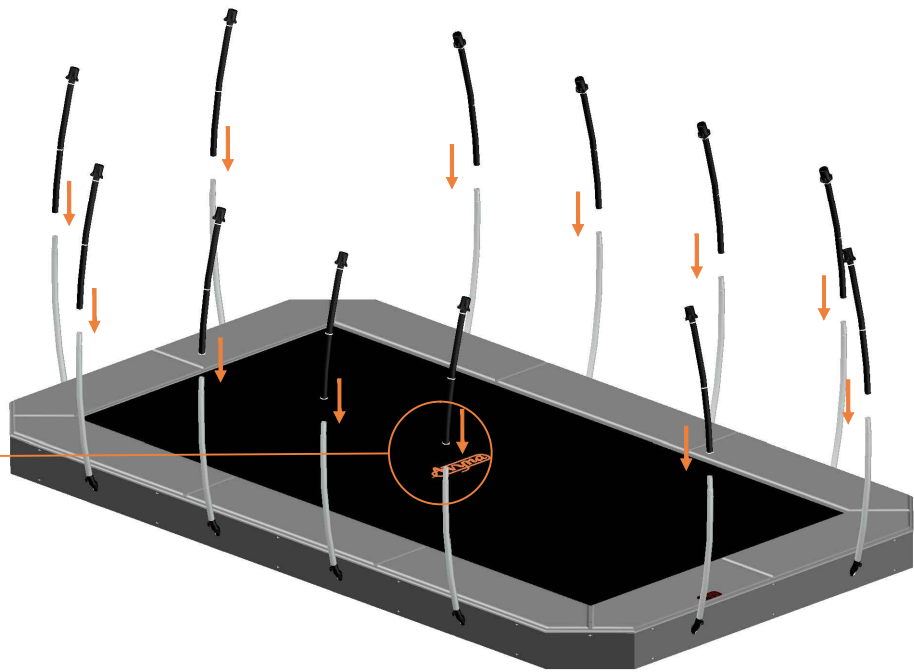
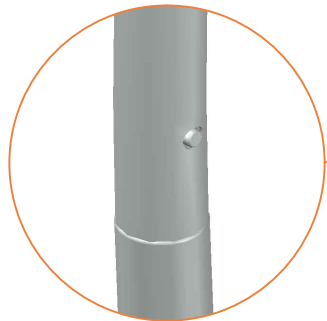
7.



8.



9.

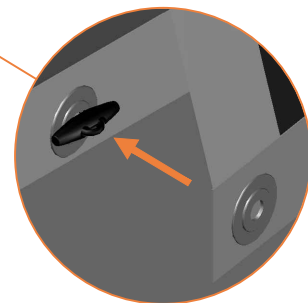
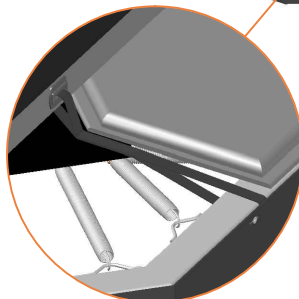
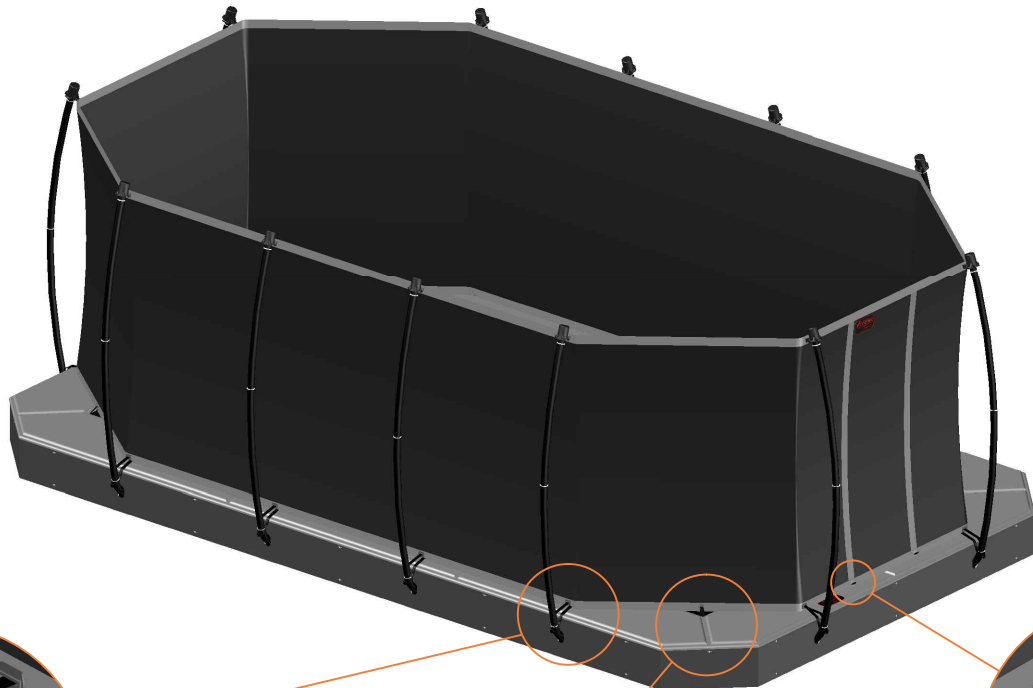


10.

11.

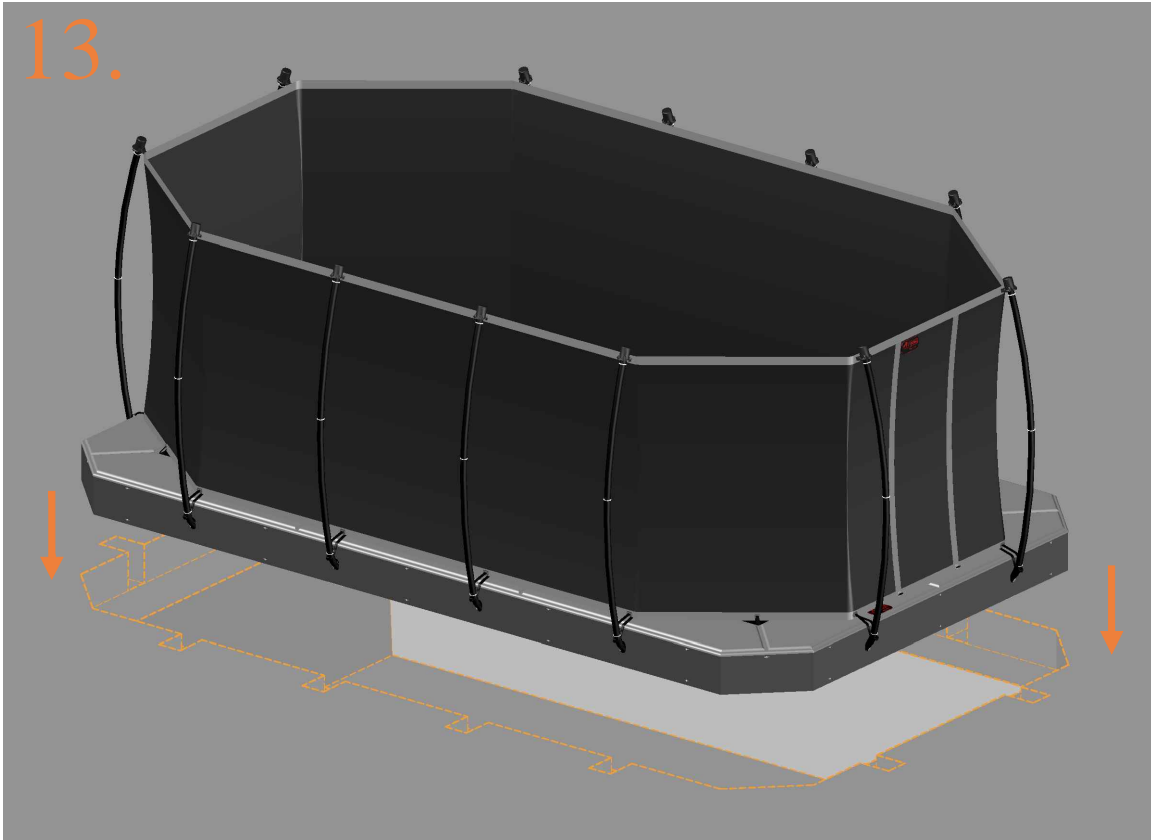


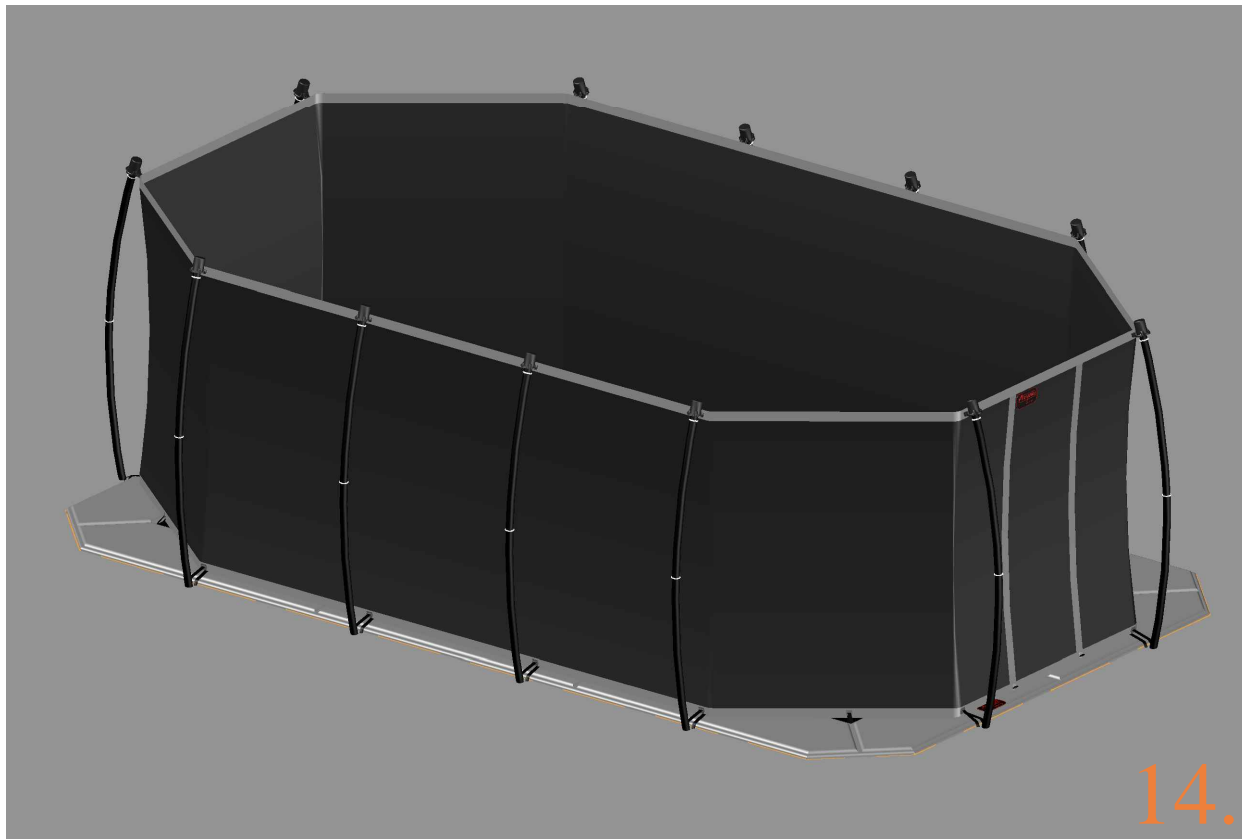
12.



4x TEPL-BAND-LONG

13.





14.



Sales office: Beneluxbaan 7
5121 DC Rijen
The Netherlands
sales@avyna.eu
www.avyna.eu