

Check here for the latest manual
Choose your model



Model 352 / 10x17ft



Avyna

A faint, light gray silhouette of a person performing a handstand on a trampoline is visible in the background, centered behind the main title.

Rectangular Trampolines

Assembly manual

Model 352 / 10x17ft


























Model 213
275x180

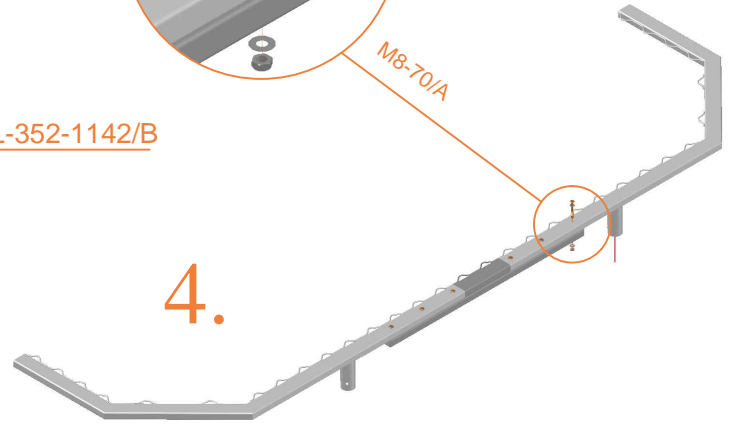
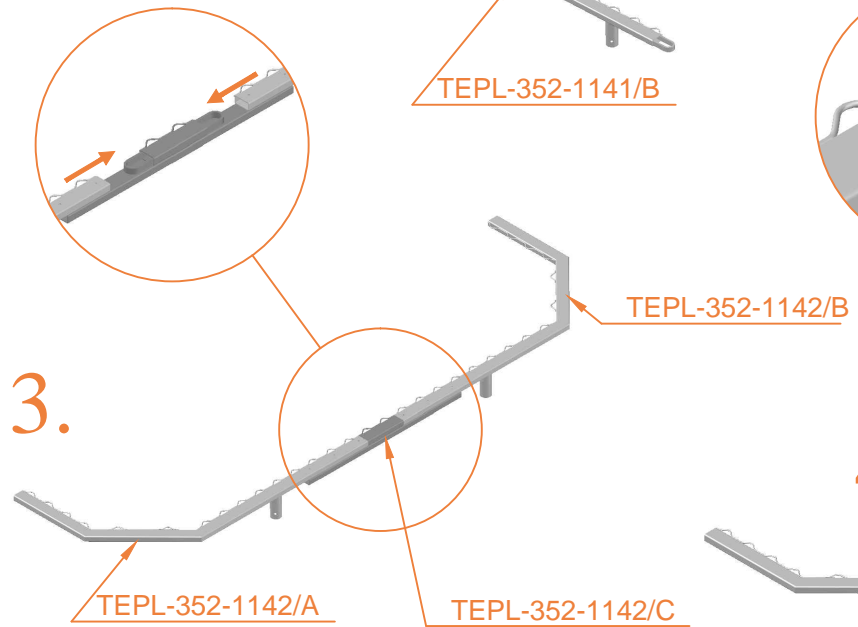
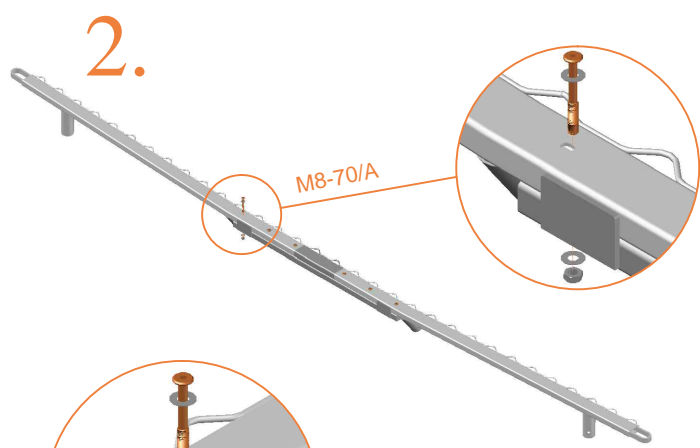
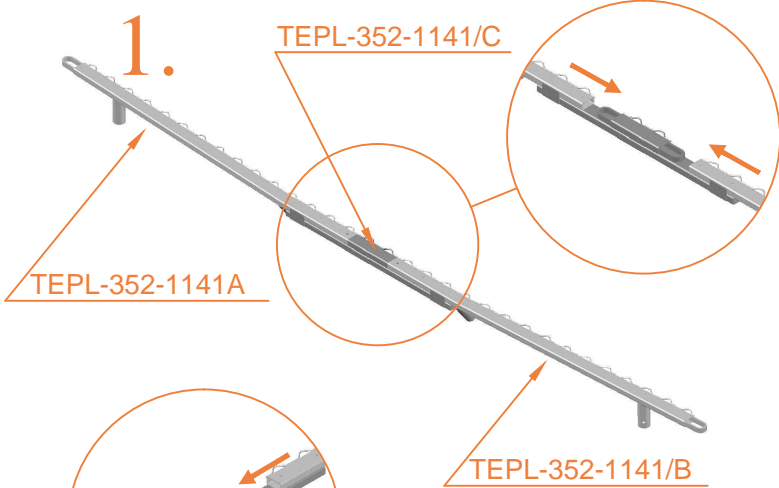
Model 213-F
275x180

Model 223 / Model 234 / Model 238
300x225 / 340x240 / 380x255

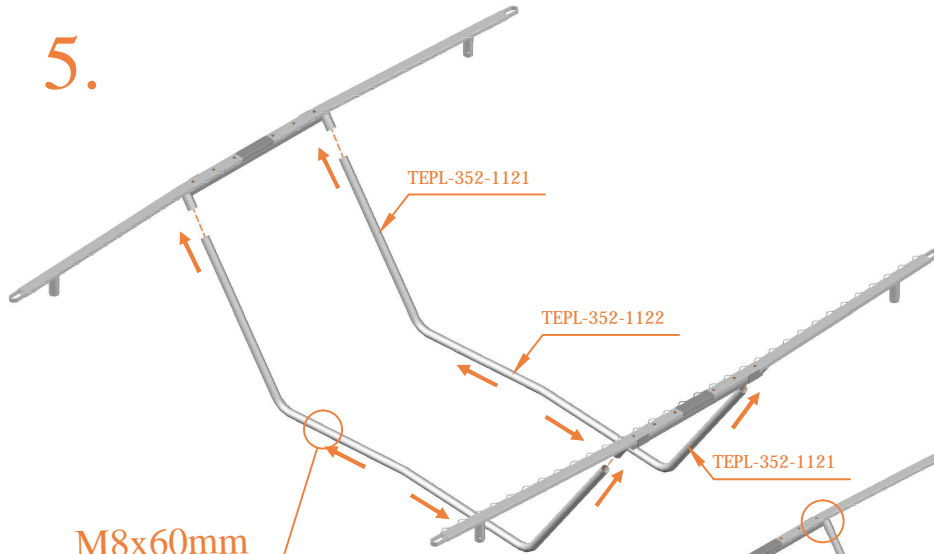
Model 352
370x305

		Model 352 APPROX 520x305cm		
	Quantity	Part number		
Jumping mat	1	TEPL-352-222		
Galvanized spring L=215mm Ø3.2mm	120	TEPL-200-211/A		
Galvanized spring L=140mm Ø3.2mm	8	TEPL-200-211/E		
Safety pad	1	AVBL-352-333-black or AVGR-352-333-grey		
Fastener for Safety pad	12	TEPL-ELAS/A		
V-tube	4	TEPL-352-116/A		
J-tube	8	TEPL-352-116/B		
L-tube	2	TEPL-352-1142/A		
L-tube	2	TEPL-352-1142/B		
I-tube	2	TEPL-352-1142/C		
I-tube	2	TEPL-352-1141/C		
K-tube	2	TEPL-352-1141/A		
K-tube	2	TEPL-352-1141/B		

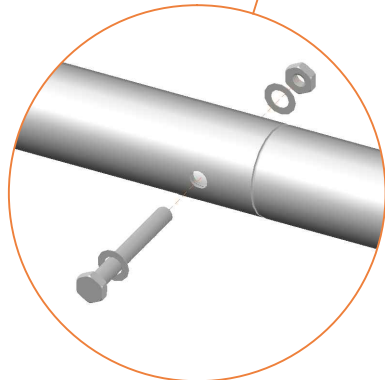
		Model 352 APPROX 520x305cm		
	Quantity	Part number		
I-tube	4	TEPL-352-1121		
I-tube	2	TEPL-352-1122		
Screw M8, nut and washer	24	M8-70 / A		
Screw M8, nut and washer	8	M8-70 / B		
Screw M8, nut and washer	12	M8-60		
Tool for springs	1	TOOL-SPRING		
Fastener for Safety pad (Attached for safety pad)	24	TEPL-ELAS/B		
Wrench	2	WRENCH		
Allen key	1	ALLEN KEY		
Tool connector for ELAS-B	1	TOOL-ELAS-B		
Users Manual	1	208010101		
Warning Card	1	208040101		
Tie rip for warning card	1	209010102		
Safety manual	1	208010301		



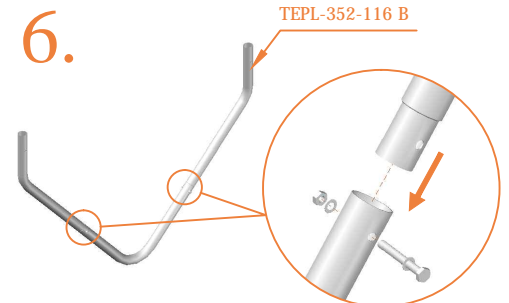
5.



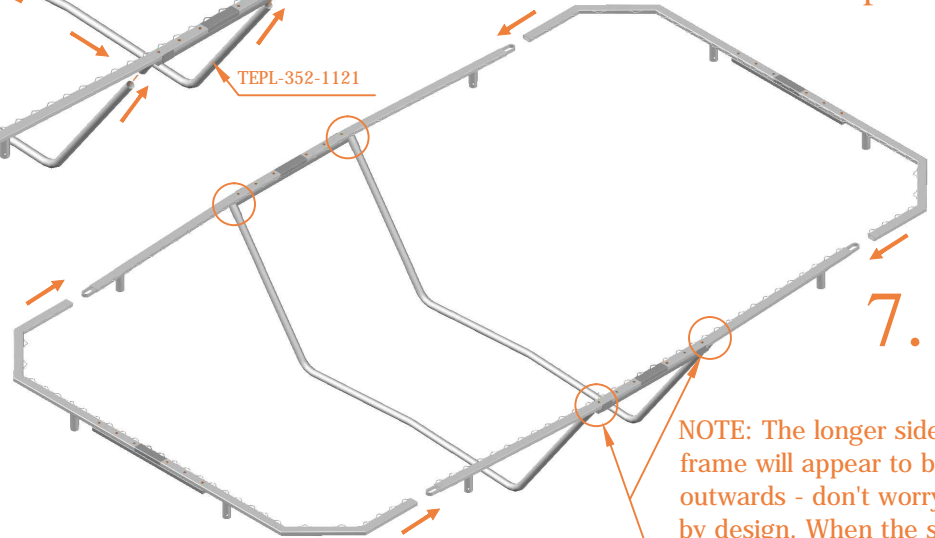
M8x60mm
4pcs



6.



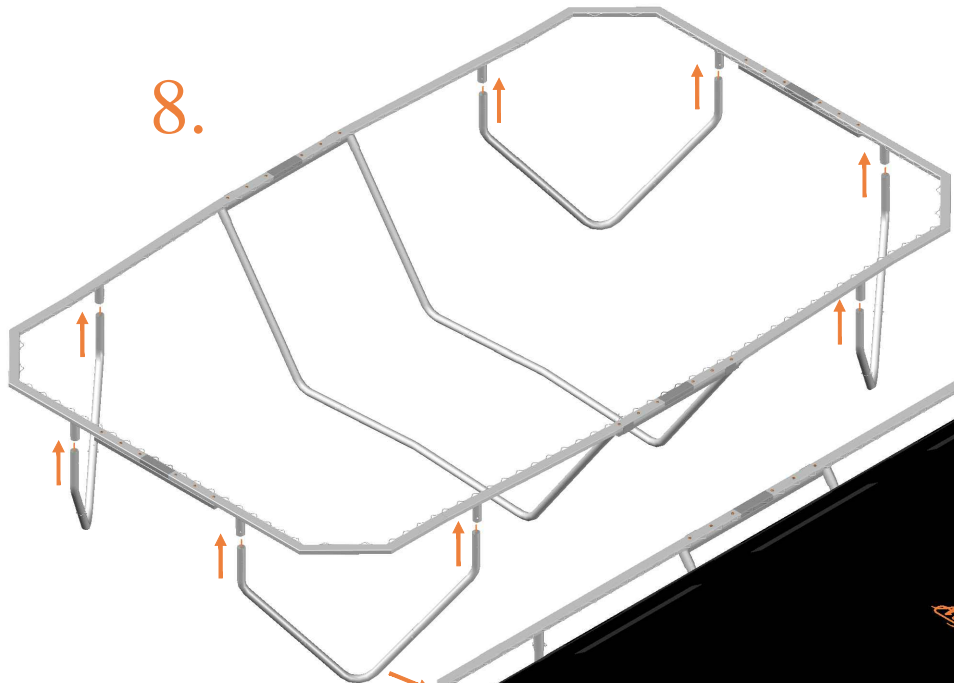
M8x60mm
8pcs



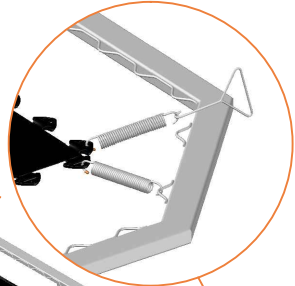
7.

NOTE: The longer sides of the frame will appear to bow outwards - don't worry! This is by design. When the springs and mat are added on, it will disappear.

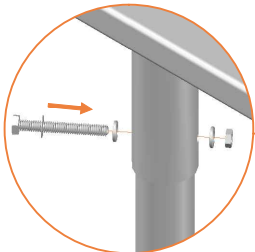
8.



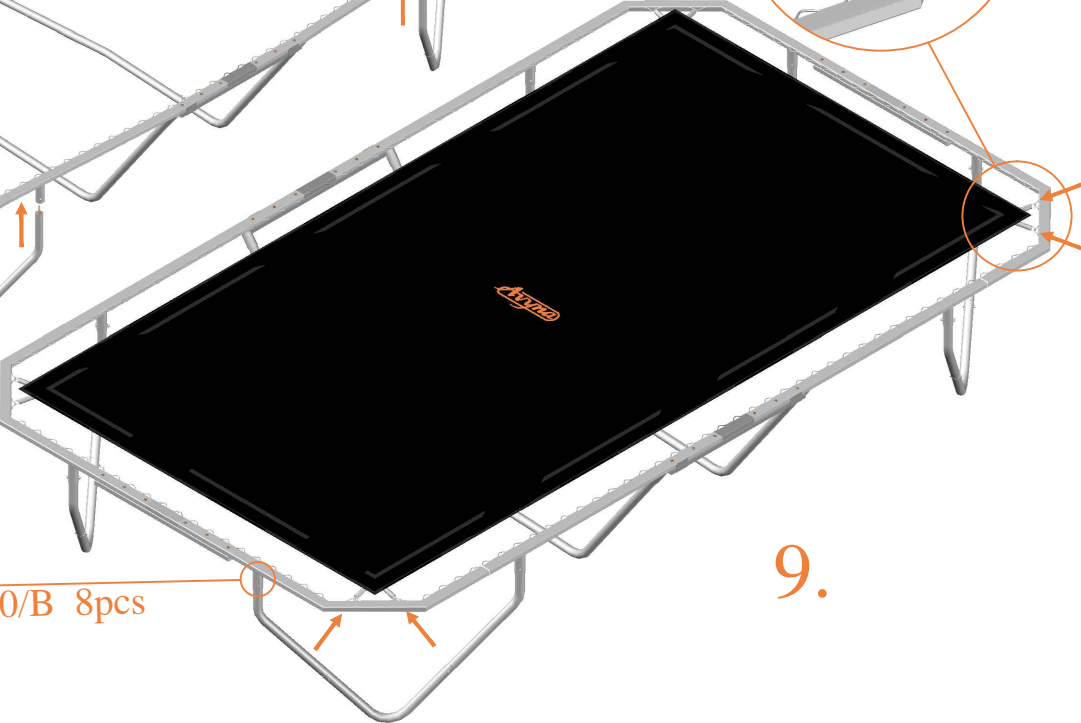
8x spring 140mm



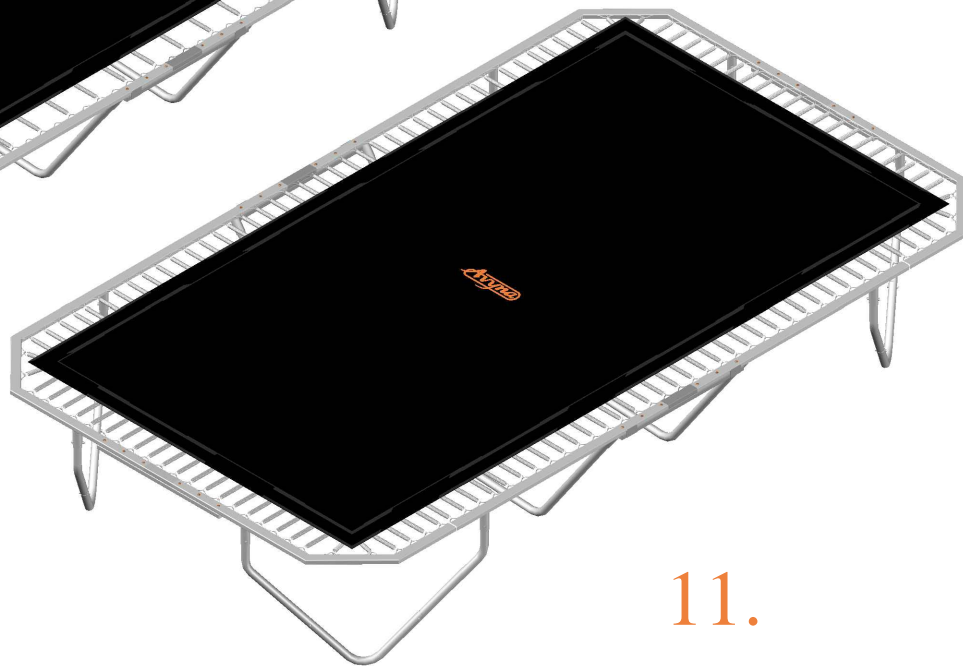
M8-70/B 8pcs



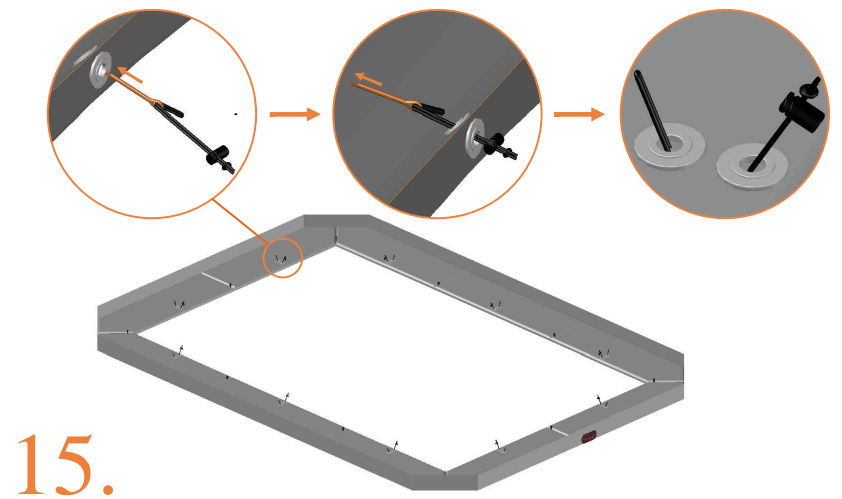
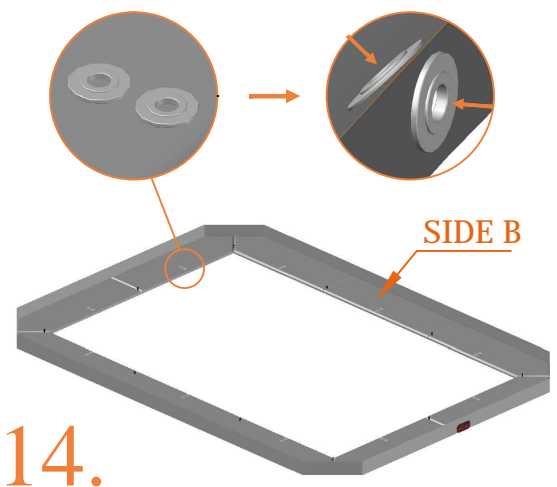
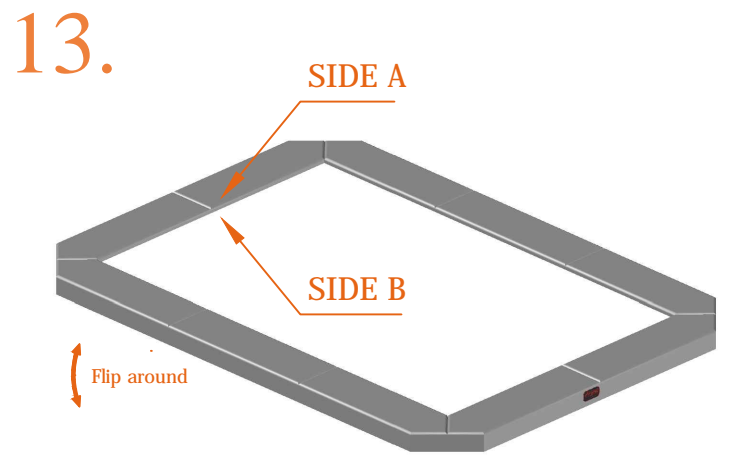
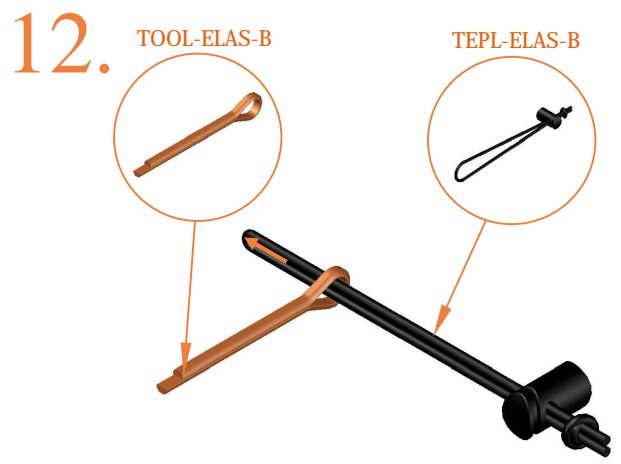
9.



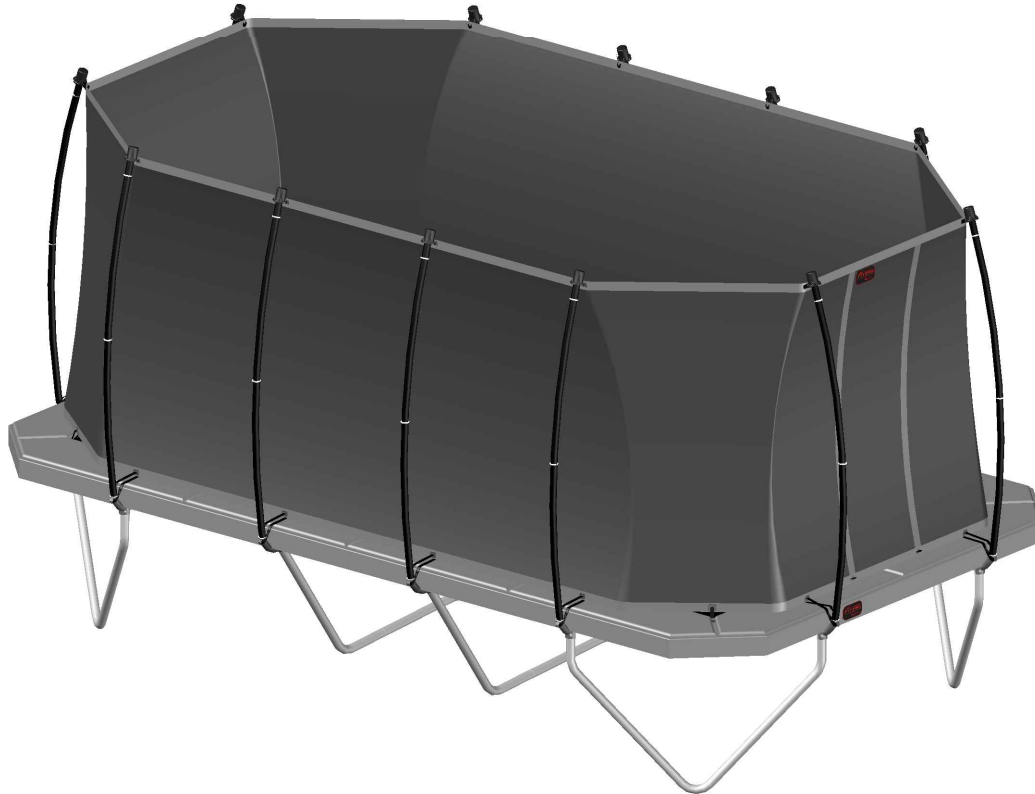
10.



11.



Safety net for Model 352



Model 213
275x190

Model 213-F
275x190

Model 223 / Model 234 / Model 238
300x225 / 340x240 / 380x265

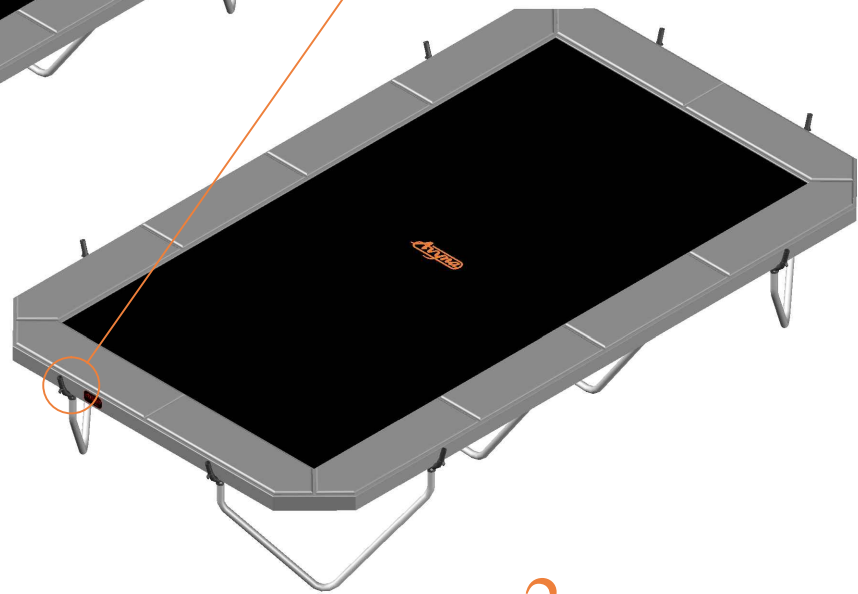
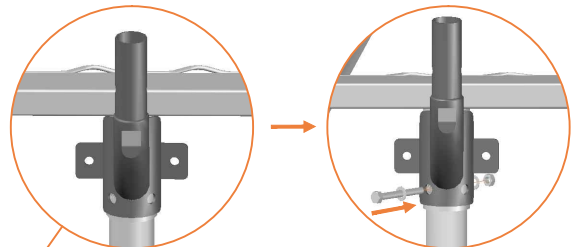
Model 352
570x305

Safety net for Model 352

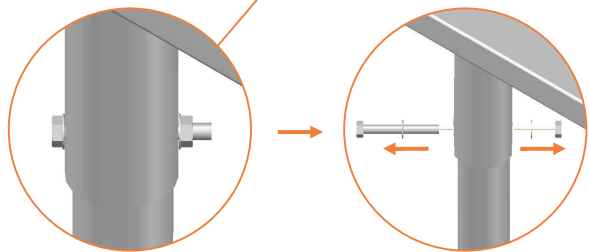
			Model 352 APPROX 520x305cm	
	Quantity	Part number		
Pole with sleeve for safety net	12	AVBL-352-802 A		
Pole for safety net	12	AVBL-352-802 B		
Clamp	8	CLAMP-TOOL-SN-352-A		
Clamp	4	CLAMP-TOOL-SN-352-B		
Safety net	1	AVBL-352-black or ANGR-352-grey		
Straps for safety net	28	TEPL-BAND 24x short:1.0m(below) 4x long:1.5m(above)		
Closure for safety net	2	TEPL-KNOOPJE		
Screw M6	12	M6-30		
Screw M8	24	M8-25		
Allen key	2	ALLEN-KEY		
Wrench	2	WRENCH		

8x CLAMP-TOOL-SN-352-A

1.

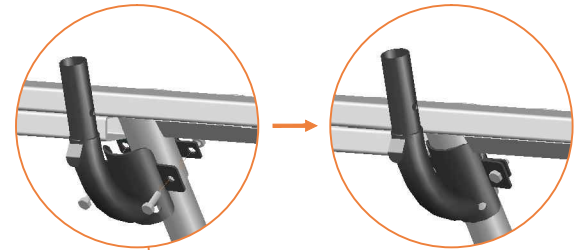
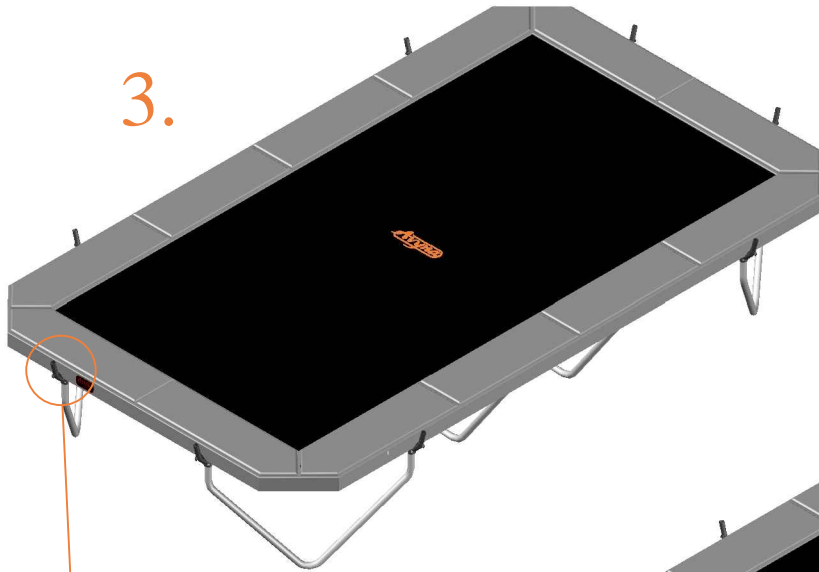


2.

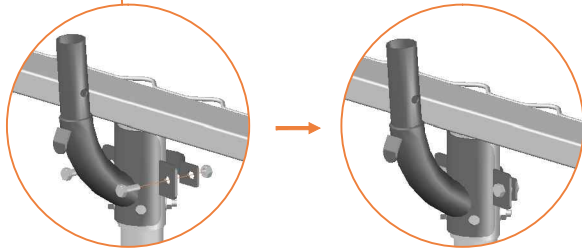


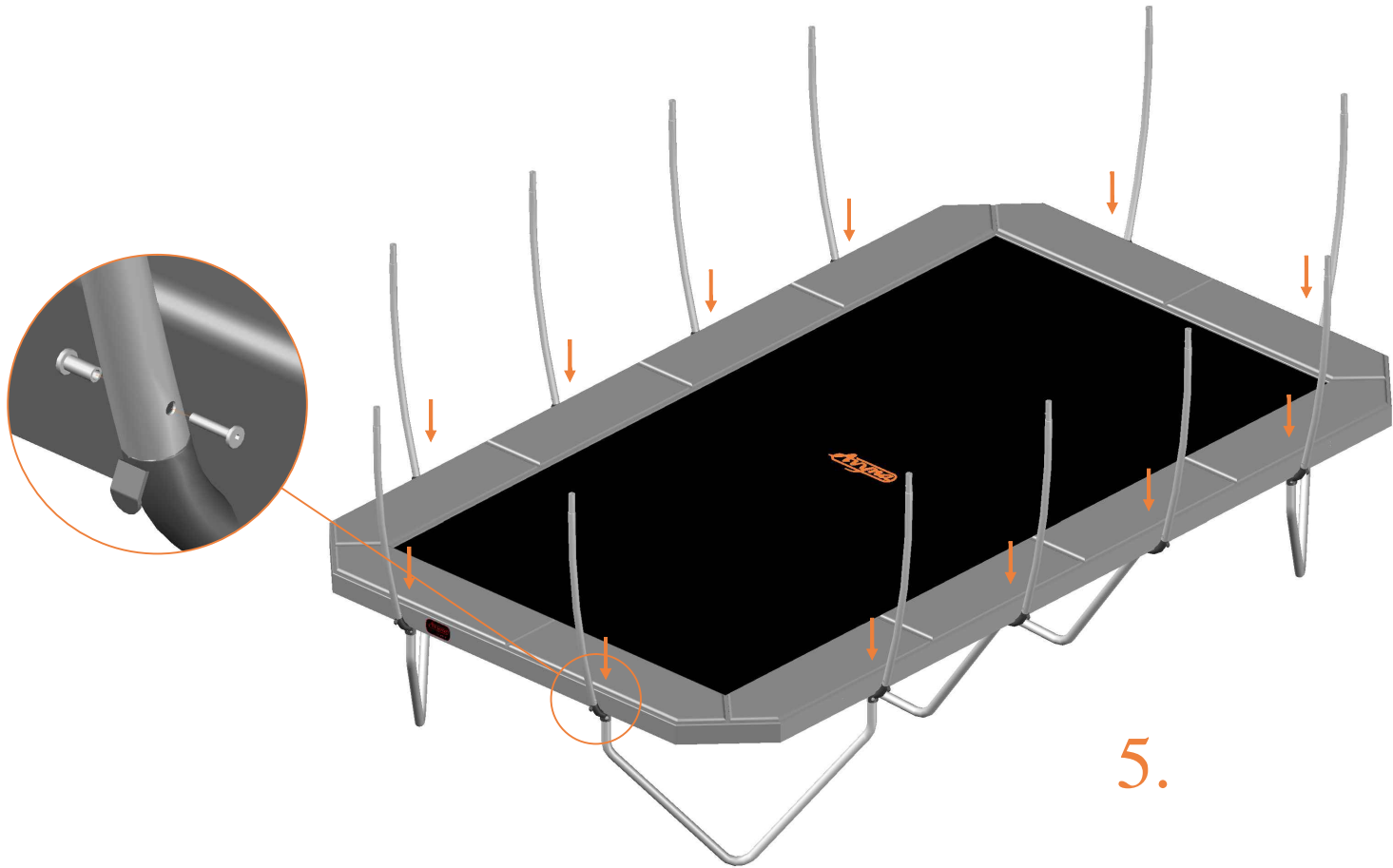
4x CLAMP-TOOL-SN-352-B

3.

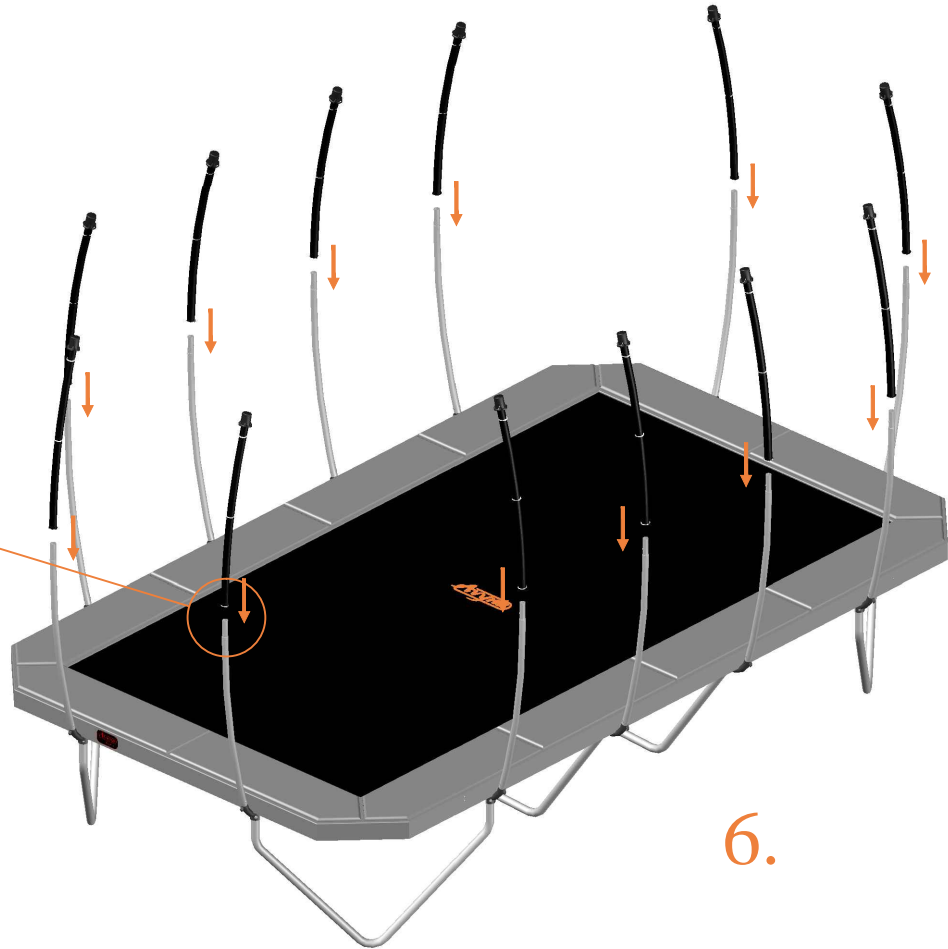
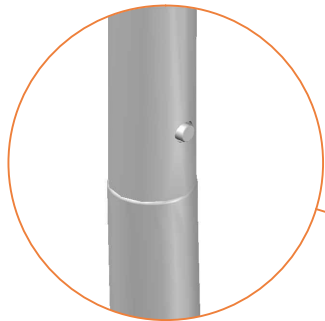


4.

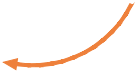




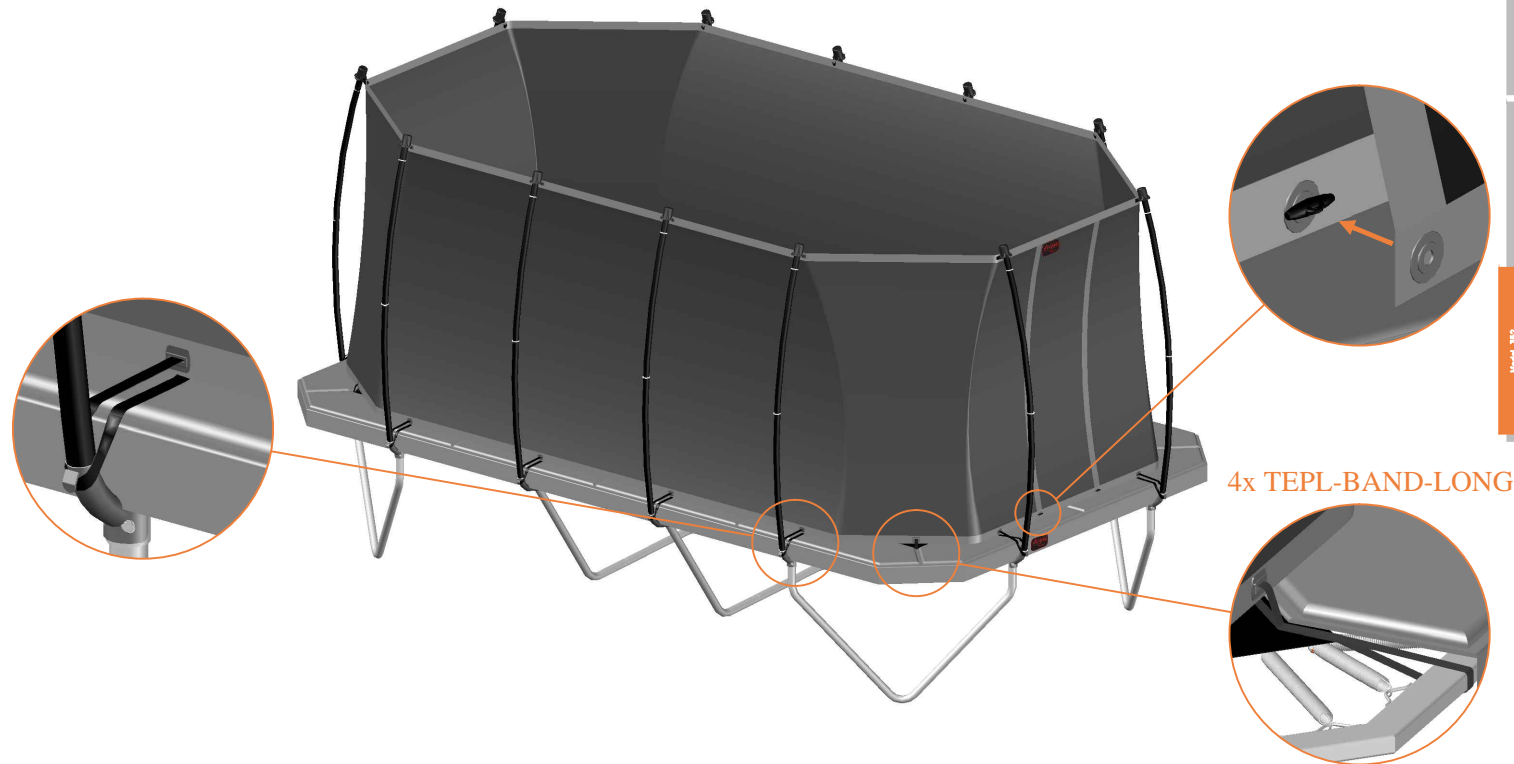
5.



7.



8.



4x TEPL-BAND-LONG



Sales office: Beneluxbaan 7
5121 DC Rijen
The Netherlands
sales@avyna.eu
www.avyna.eu