

Check here for the latest manual  
Choose your model



Model 343-FL / 10x14ft

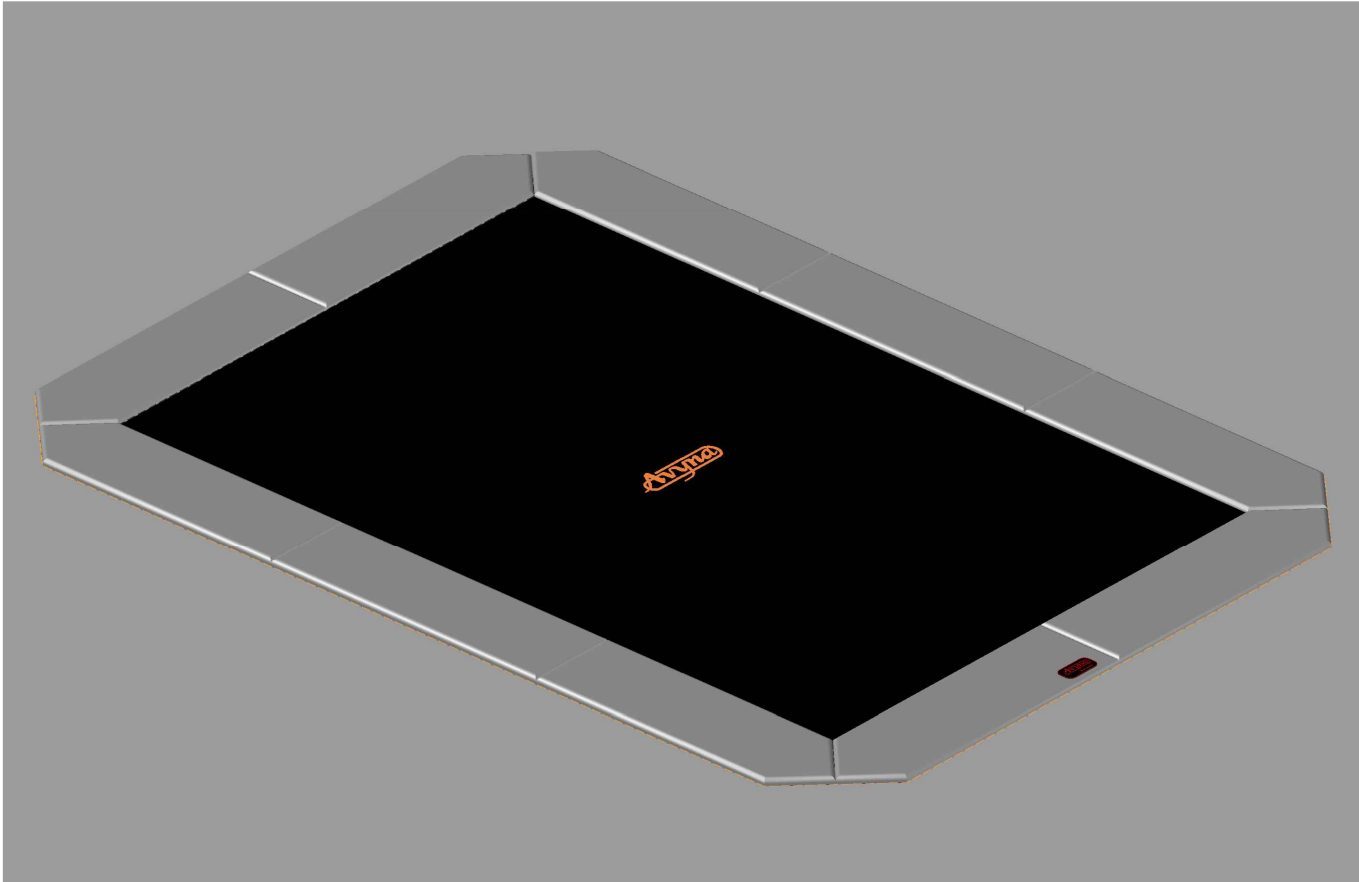


Avyna

Rectangular Trampolines

Assembly manual

# Model 343-fl / 10x14ft








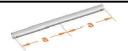
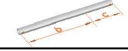








Model 223-fl  
305x225

Model 234-fl / Model 238-fl  
340x240 / 380x225

Model 343-fl  
435x305

Model 352-fl  
520x305

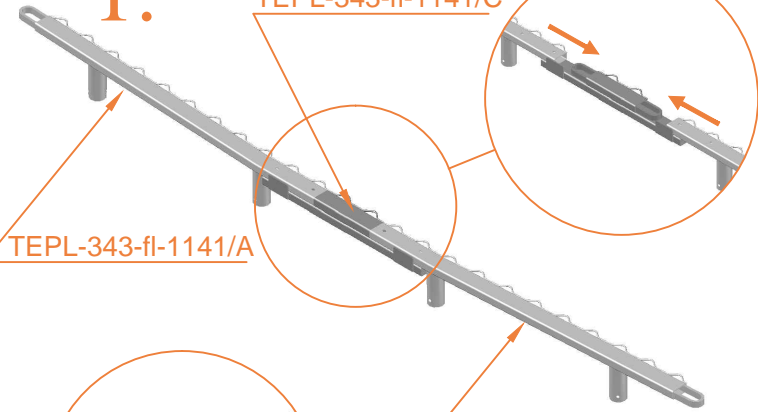
# Model 343-fl / 10x14ft

Model 343-fl APPROX 430x305cm			
Quantity	Part number		
Jumping mat	1	TEPL-343-fl-222	
Galvanized spring L=215mm ø3.2mm	104	TEPL-200-211/A	
Galvanized spring L=140mm ø3.2mm	8	TEPL-200-211/E	
Safety pad	1	AVBL-343-fl-333-black or AVGR-343-fl-333-grey	
Fastener for safety pad (Attached to pad already)	20	TEPL-ELAS-B	
I-tube	2	TEPL-343-fl-802 / A	
I-tube	4	TEPL-343-fl-802 / B	
I-tube	2	TEPL-352-fl-802 / B	
C-tube	2	TEPL-352-fl-1142 / A	
C-tube	2	TEPL-352-fl-1142 / B	
K-tube	2	TEPL-343-fl-1141 / A	
K-tube	2	TEPL-343-fl-1141 / B	
C-tube	2	TEPL-352-fl-1142 / C	
K-tube	2	TEPL-343-fl-1141 / C	
L-tube	4	TEPL-352-fl-802	

Model 343-fl APPROX 430x305cm			
Quantity	Part number		
Plastic plate	2	343-fl-121	
Plastic plate	4	352-fl-121/A	
Tool connector for ELAS-B	1	TOOL-ELAS-B	
I-tube	12	TEPL-352-fl-115	
Measuring rod L =220mm	1	2300-131/A	
Measuring rod L = 800mm	1	2300-131/B	
Parker screw	40	M4-16	
Fastener for safety pad (Attached to pad already)	20	TEPL-ELAS-D	
Wrench	1	WRENCH	
Allen key	1	ALLEN-KEY	
Tool for spring	1	TOOL-SPRING	
Screw M8	24	M8-16	
Screw M8	20	M8-70	
Users Manual	1	208010101	
Warning Card	1	208040101	
Tie rip for warning card	1	209010102	
Safety manual	1	208010301	

1.

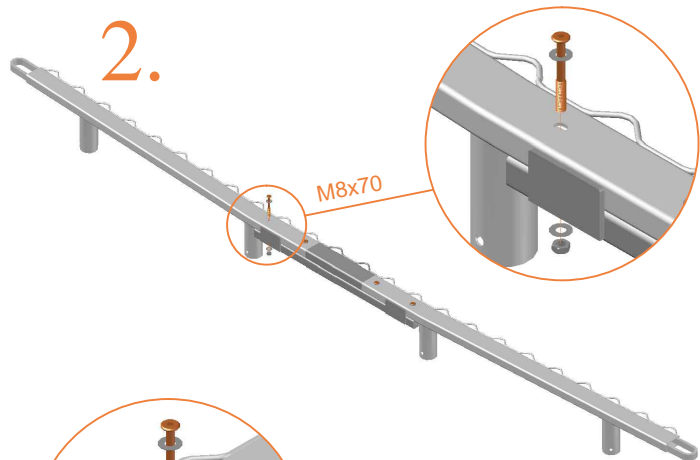
TEPL-343-fl-1141/C



TEPL-343-fl-1141/A

TEPL-343-fl-1141/B

2.

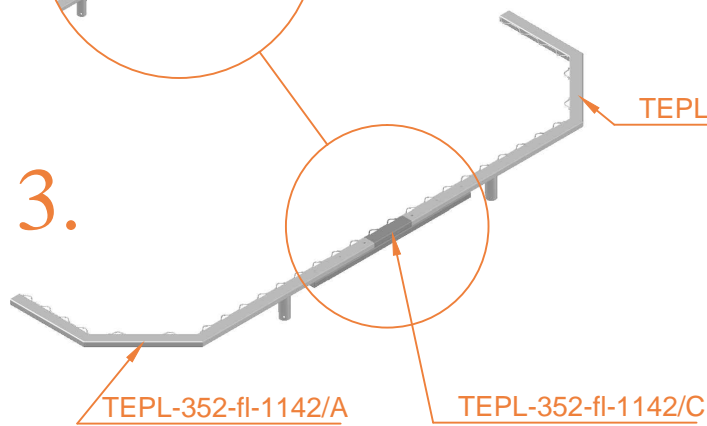


M8x70

M8x70

3.

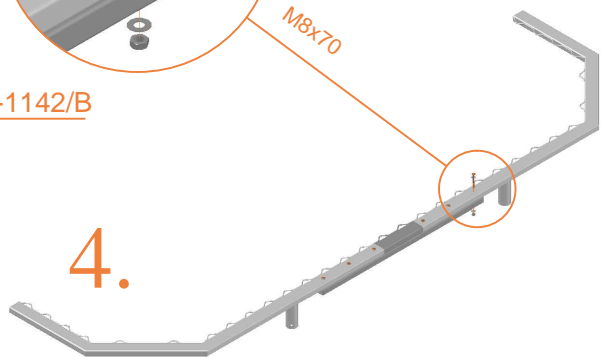
TEPL-352-fl-1142/B



TEPL-352-fl-1142/A

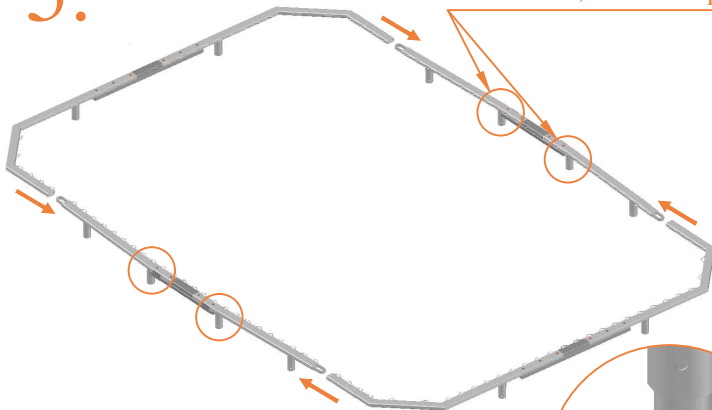
TEPL-352-fl-1142/C

4.

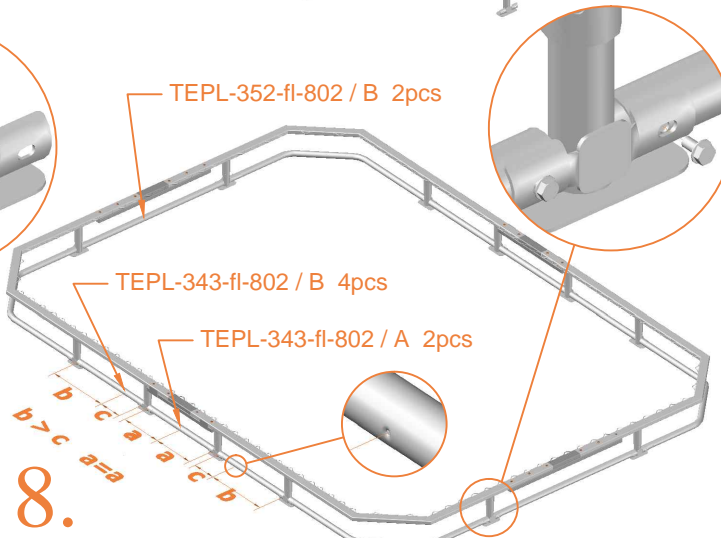
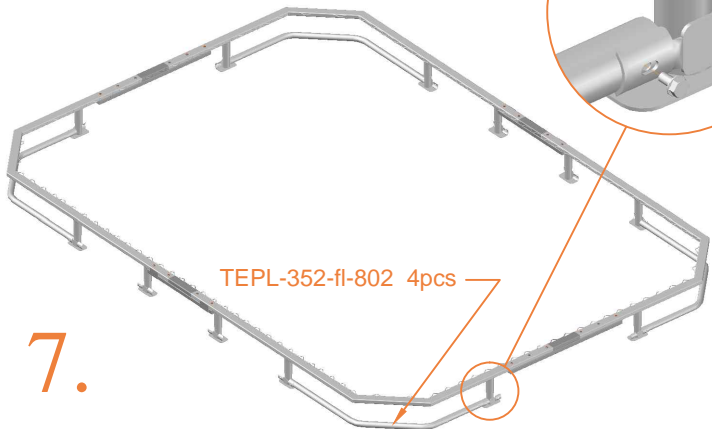
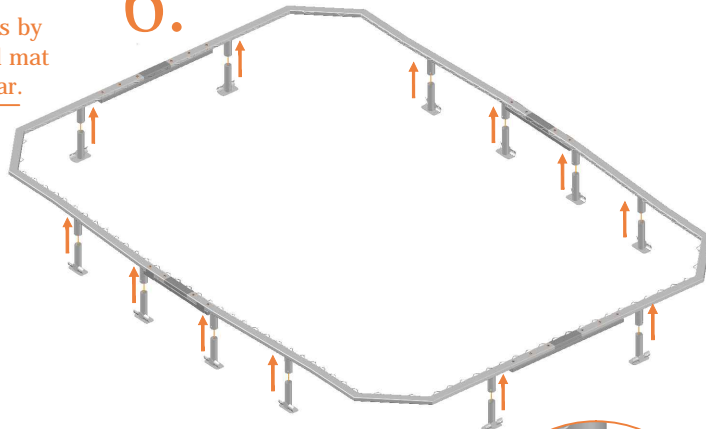


NOTE: The longer sides of the frame will appear to bow outwards - don't worry! This is by design. When the springs and mat are added on, it will disappear.

5.



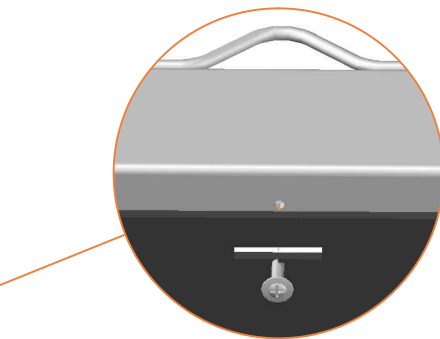
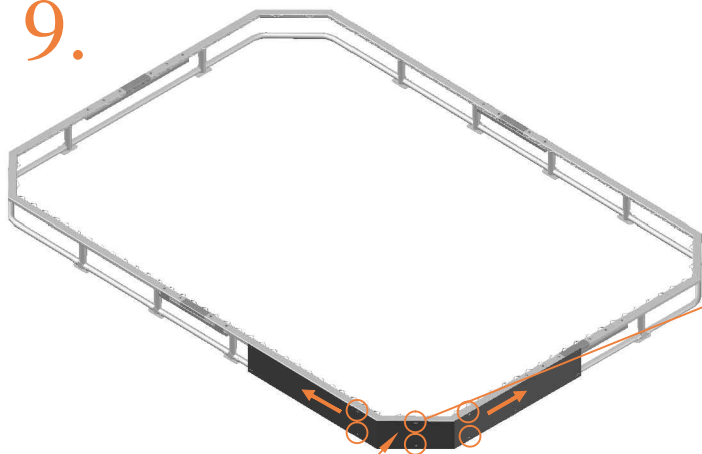
6.



7.

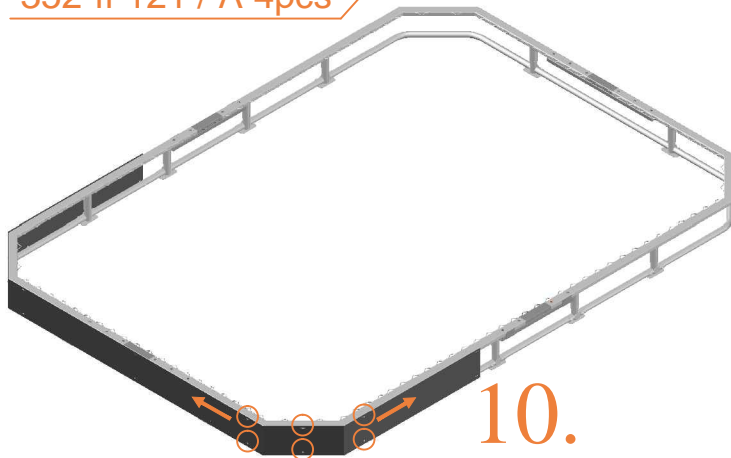
8.

9.

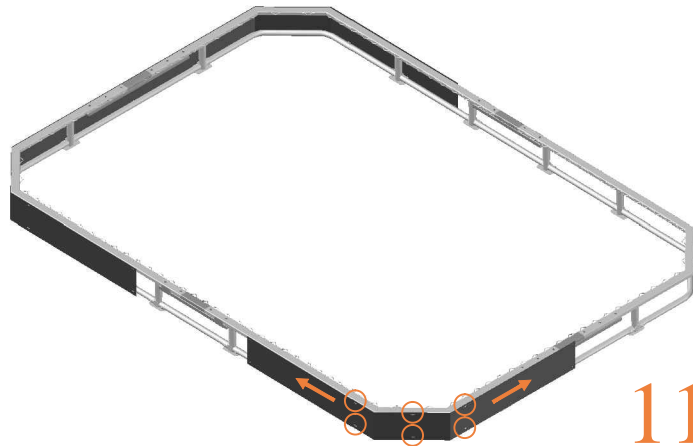


NOTE: if you have a trampoline with enclosure, please go first to page number 17 to install the clamps and go back to this page afterwards.

352-fl-121 / A 4pcs

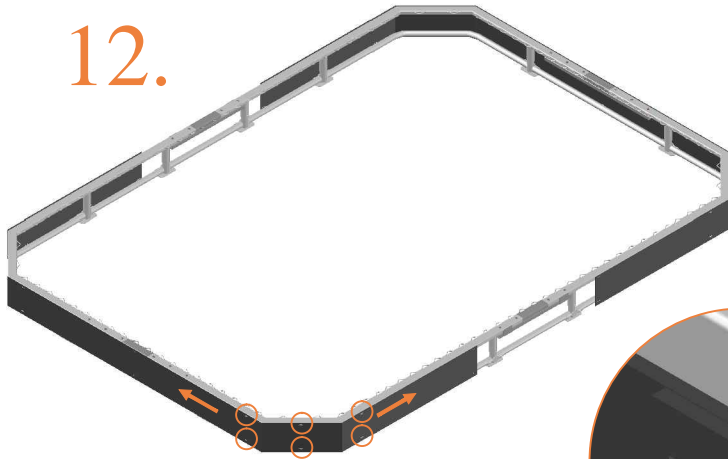


10.

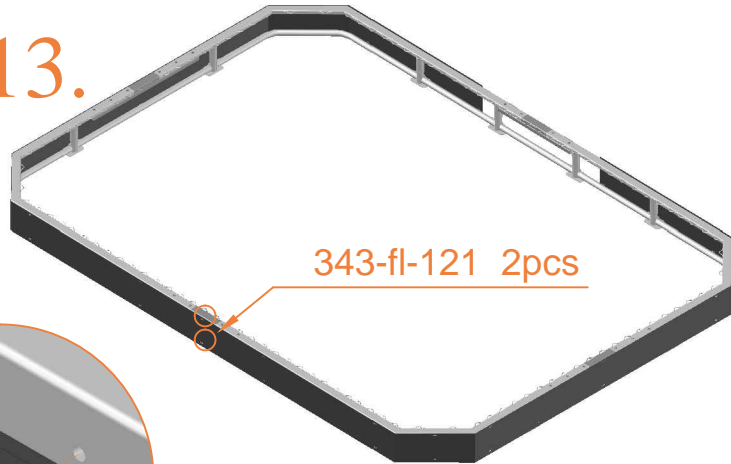


11.

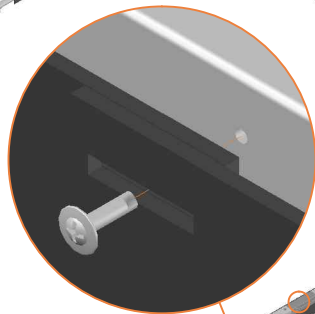
12.



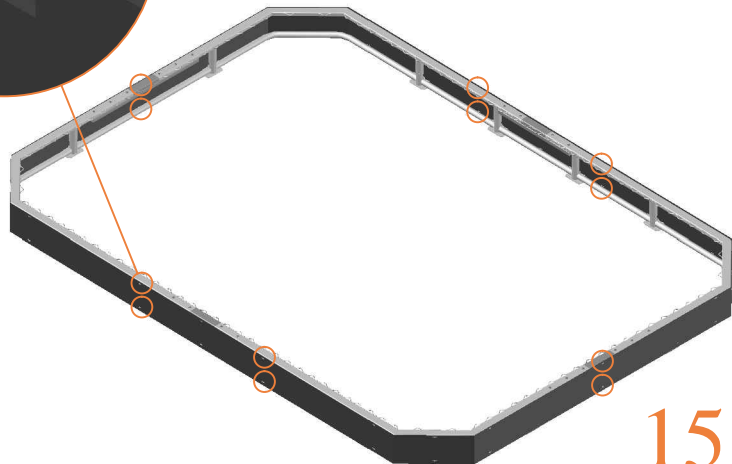
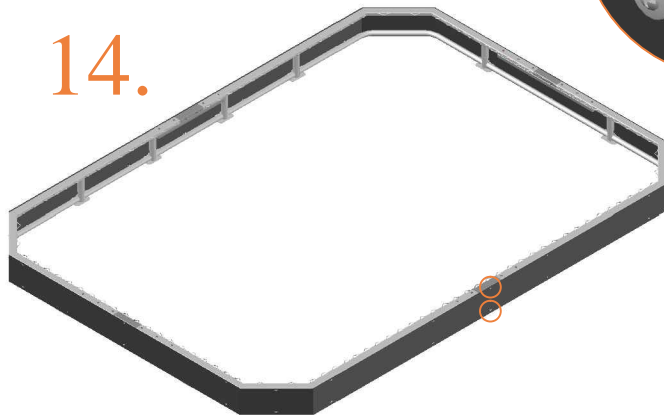
13.



343-fl-121 2pcs

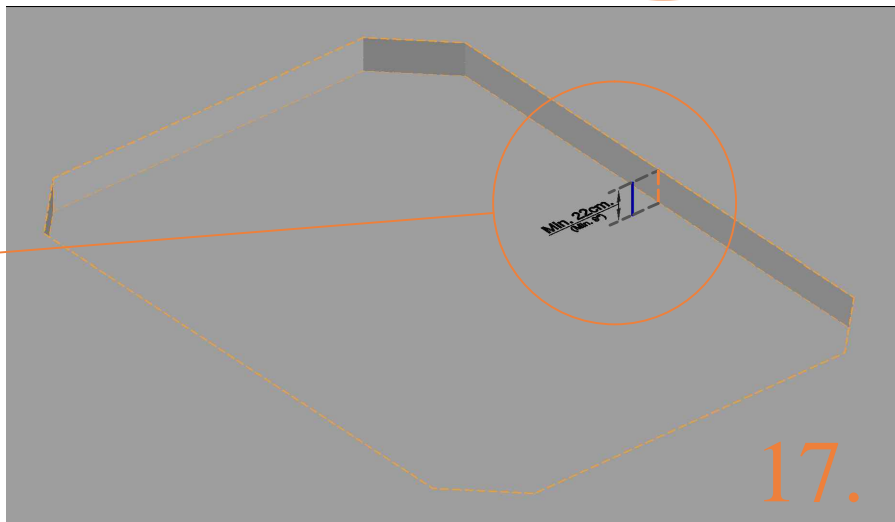
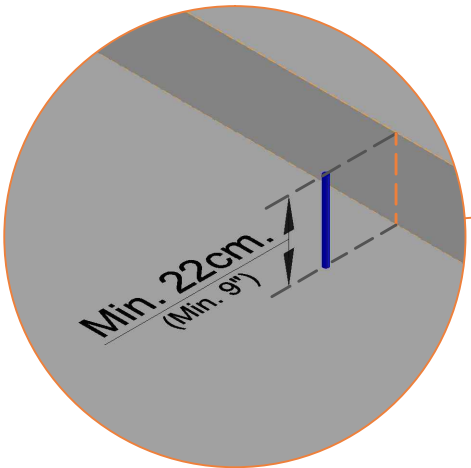
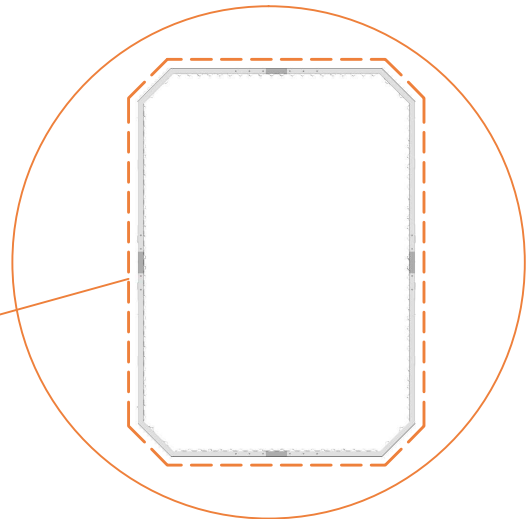
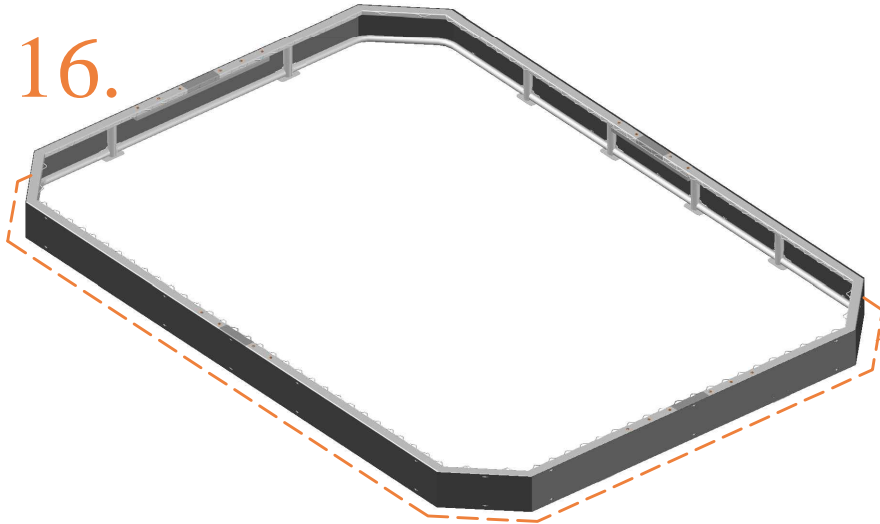


14.



15.

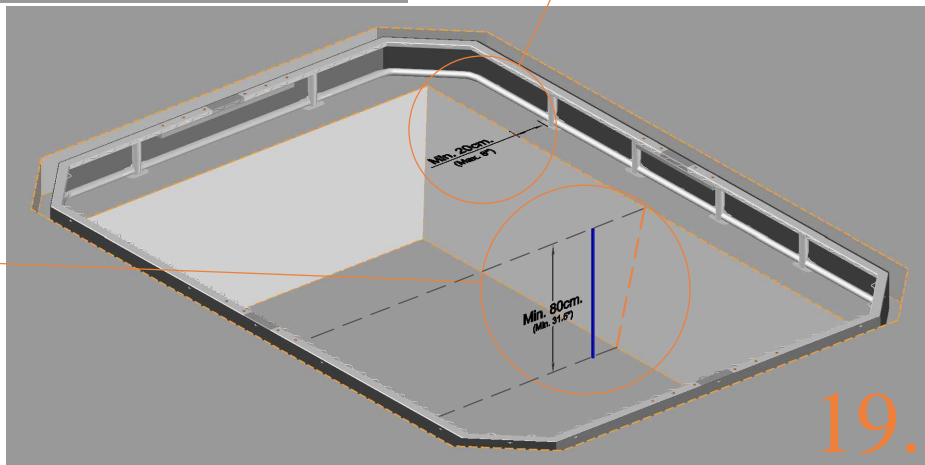
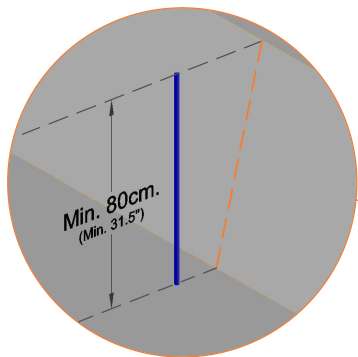
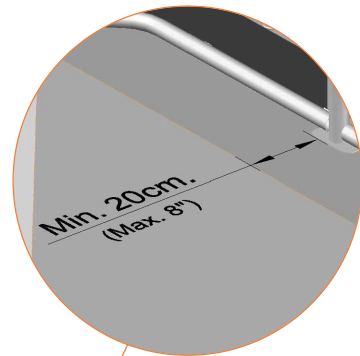
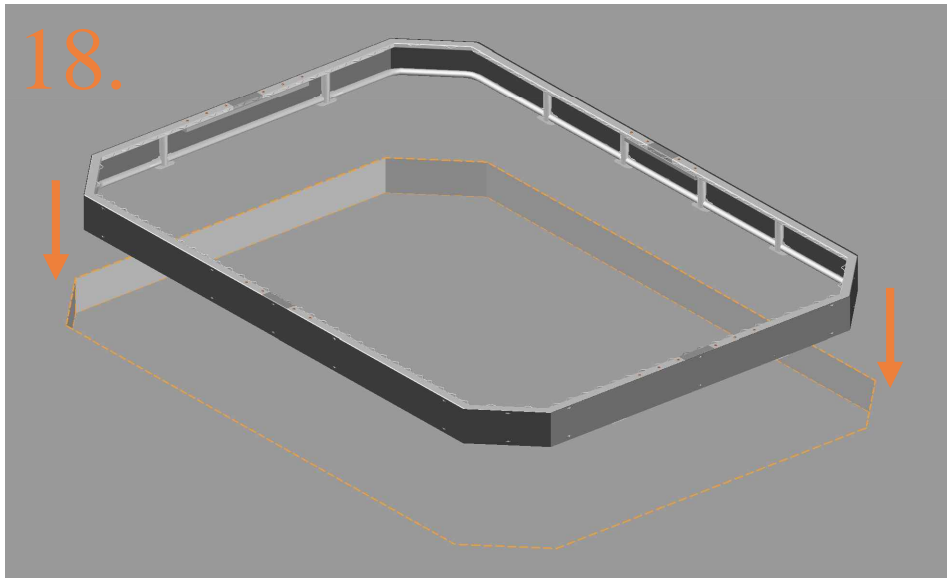
16.



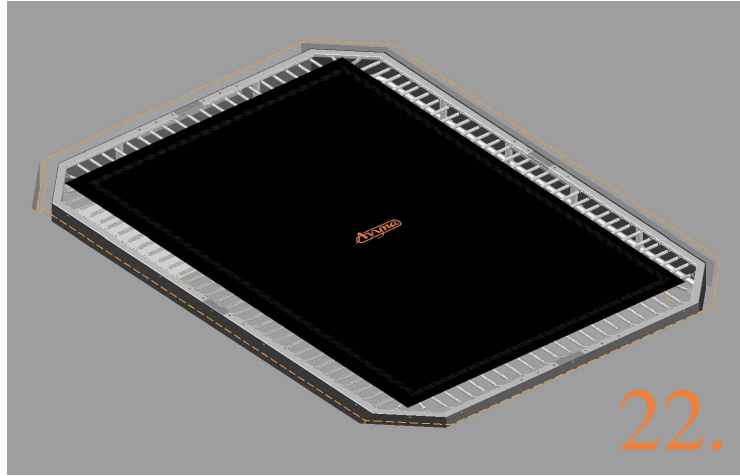
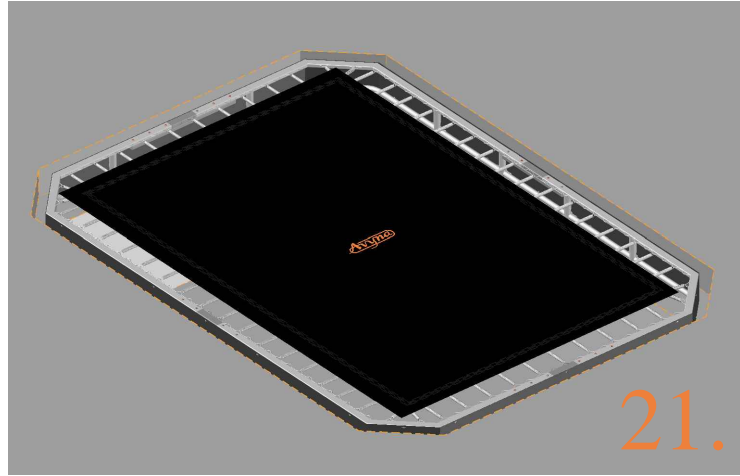
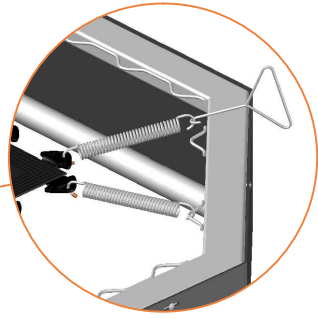
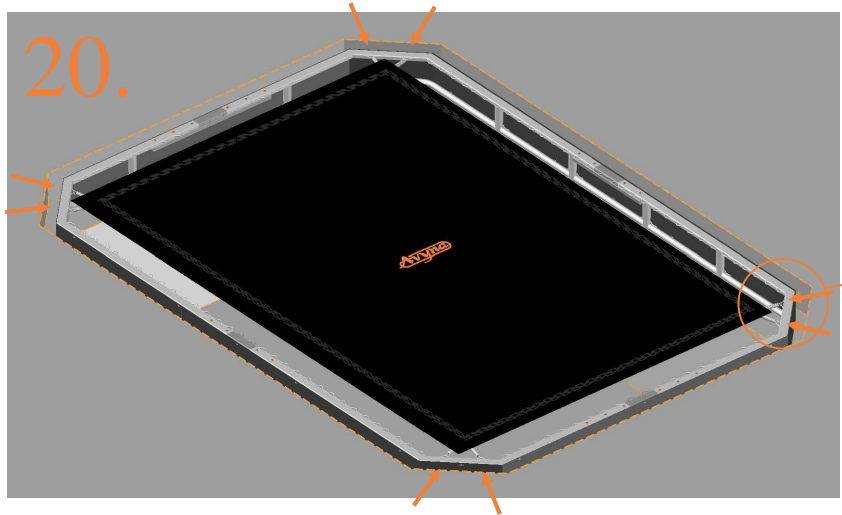
17.



18.



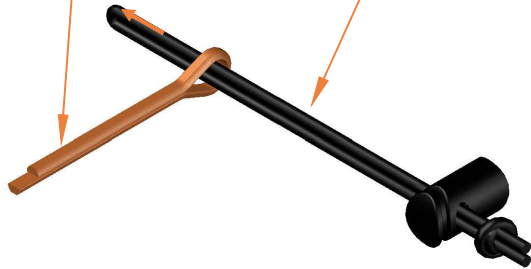
19.



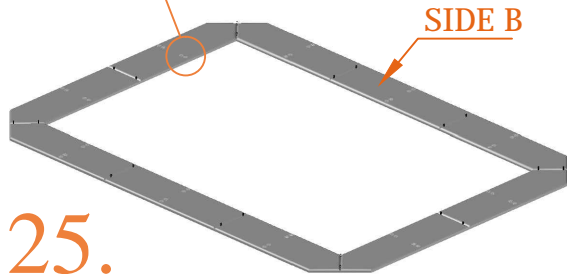
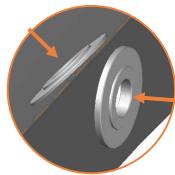
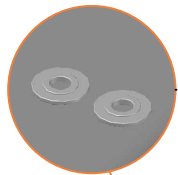
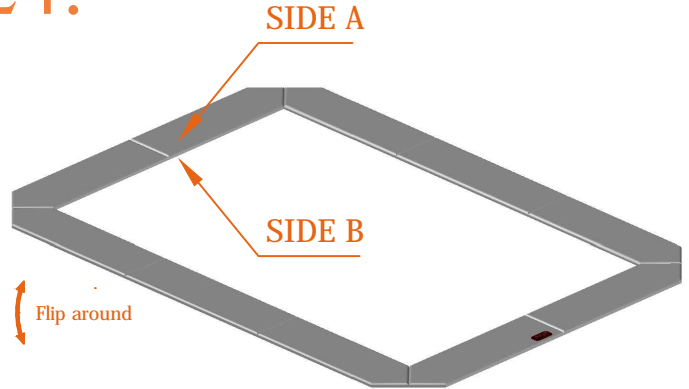
# 23. TOOL-ELAS-B



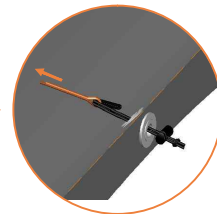
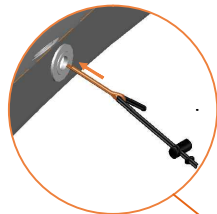
# TEPL-ELAS-B



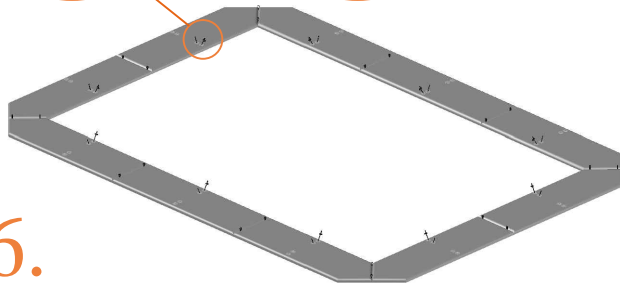
# 24.



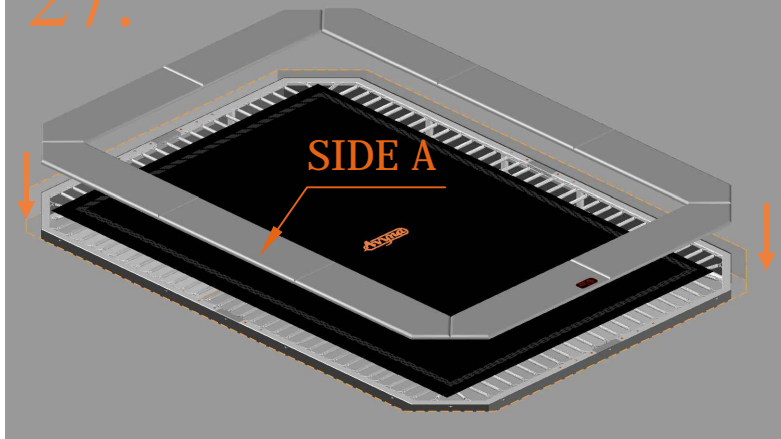
# 25.



# 26.



27.



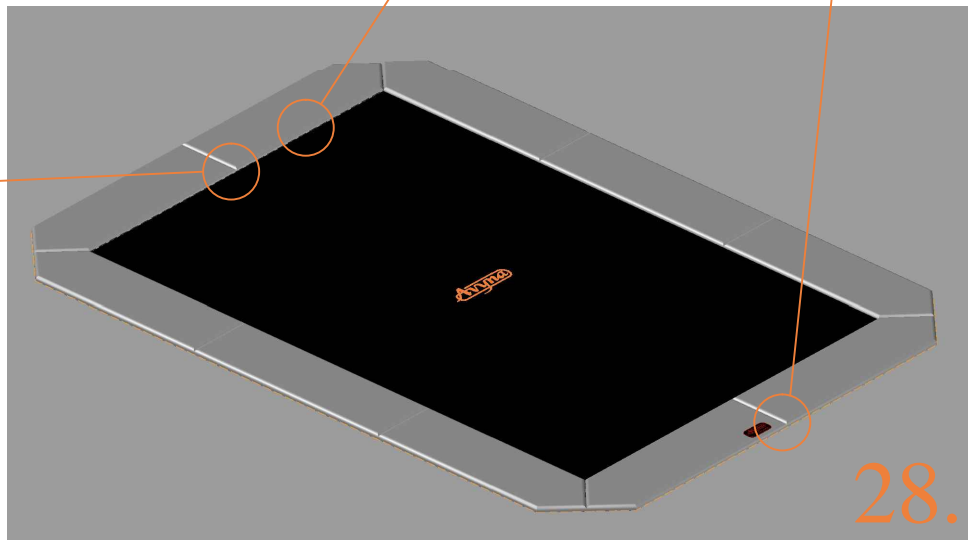
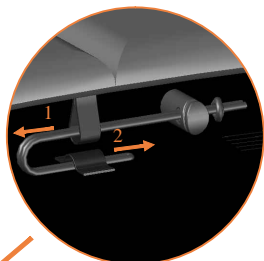
TEPL-ELAS-B



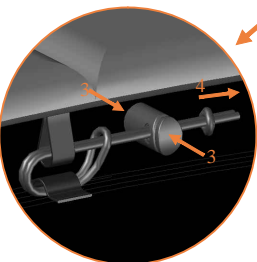
TEPL-ELAS-D



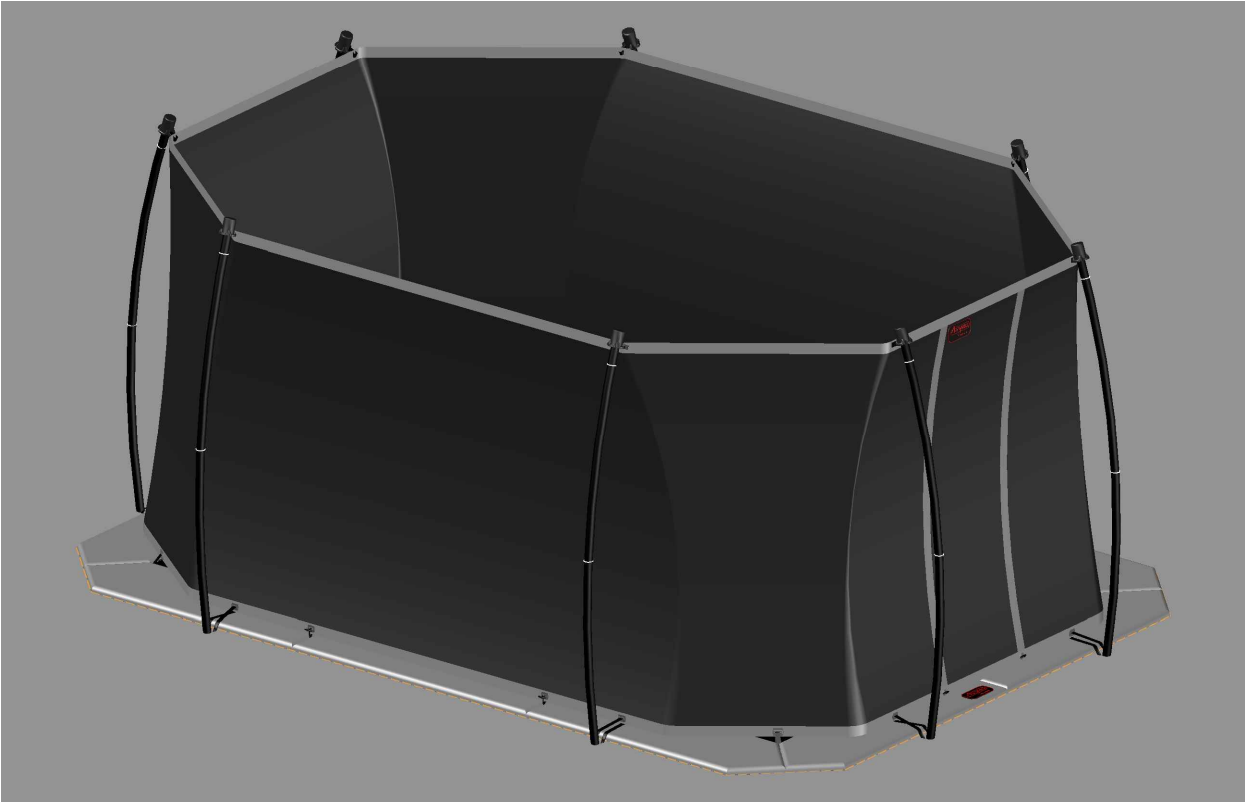
TEPL-ELAS-B



28.



# Safety net for Model 343-FL / 10x14ft



Model 223-1 305x225
Model 233-1 / Model 238-1 340x240 / 300x225
Model 343-1 10x14ft
Model 352-1 120x305

Model 223-FL  
340x225

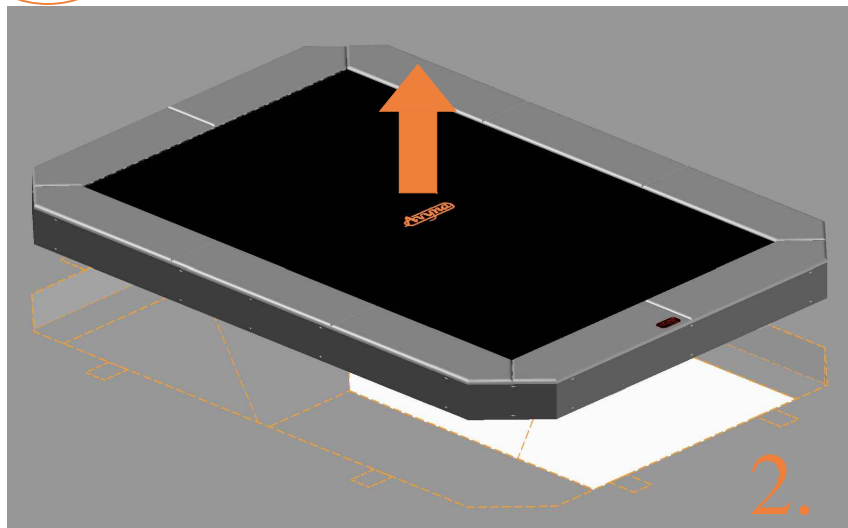
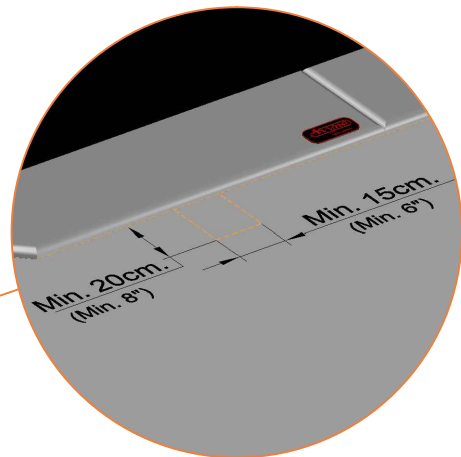
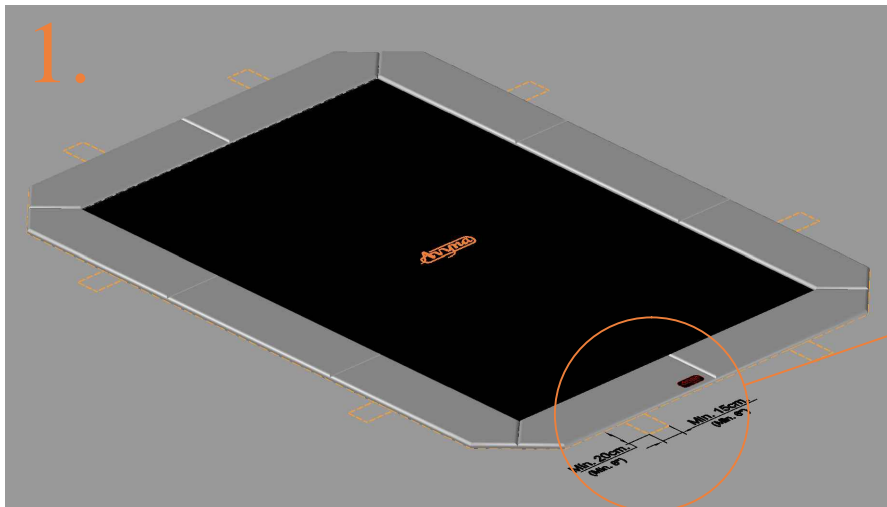
Model 234-FL / Model 238-FL  
340x240 / 300x205

Model 343-FL  
430x305

Model 352-FL  
520x305

Model 343-FL APPROX 430x305cm			
	Quantity	Part number	
Pole with sleeve for safety net	8	AVBL-352-802 A	
Pole for safety net	8	AVBL-352-802 B	
Clamp	8	CLAMP-TOOL-SN-352-A	
Safety net	1	AVBL-343-black or ANGR-343-grey	
Straps for safety net	20	TEPL-BAND 16x short:1.0m(below) 4x long:1.5m(above)	
Strings for safety net	4	TEPL-ELAS-C	
Closure for safety net	2	TEPL-KNOOPJE	
Screw M6	8	M6-30	
Screw M8	16	M8-25	
Allen key	2	ALLEN-KEY	
Wrench	2	WRENCH	

1.



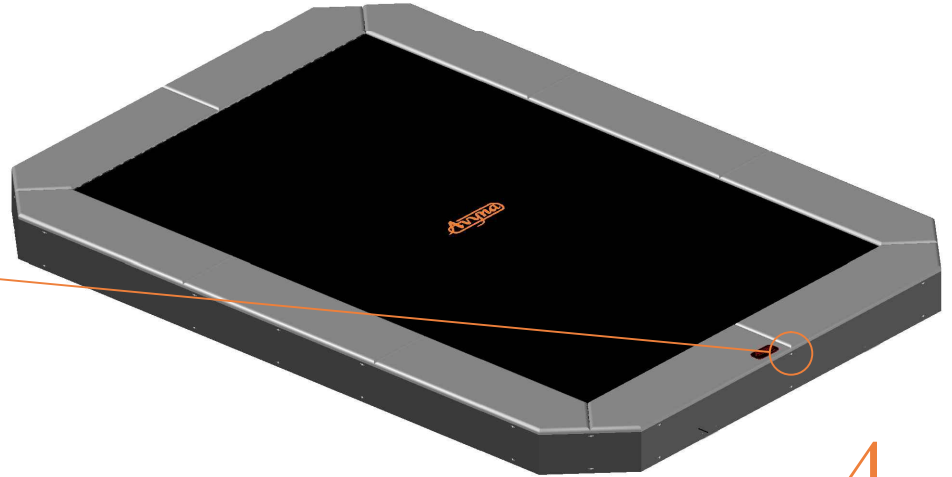
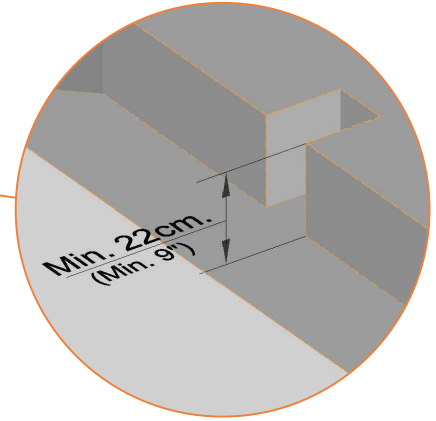
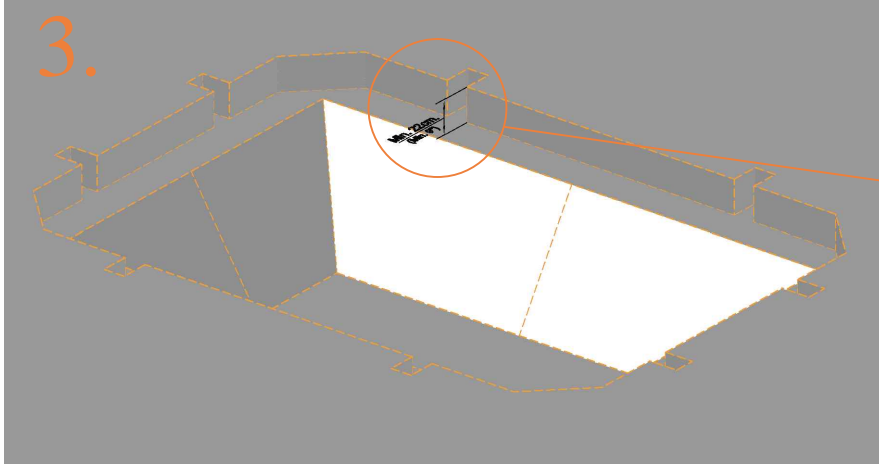
Model 223-1  
3050225

Model 224-1 / Model 238-1  
3400240 / 3800225

Model 230-1  
1050225

Model 232-1  
5200305

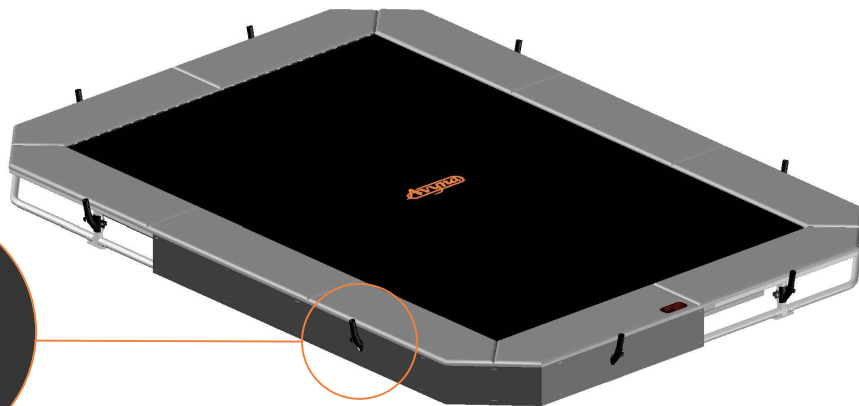
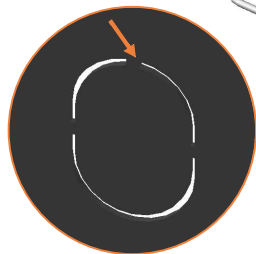
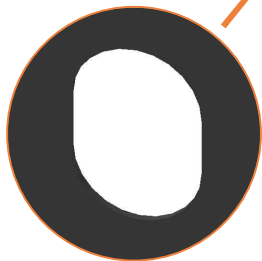
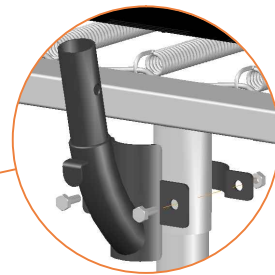
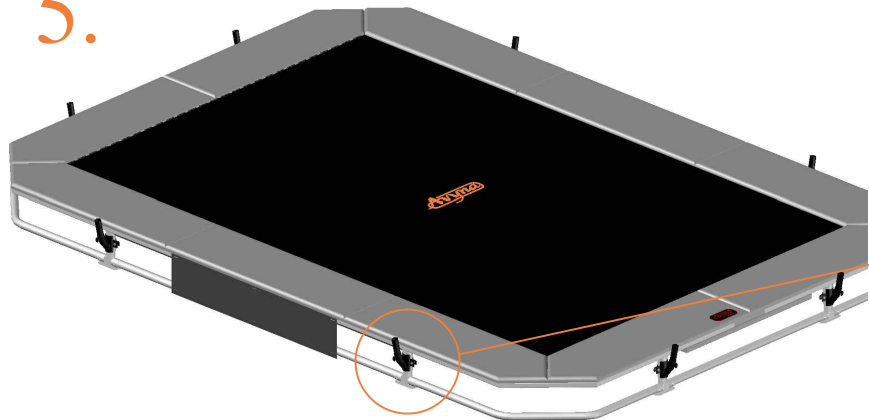
3.



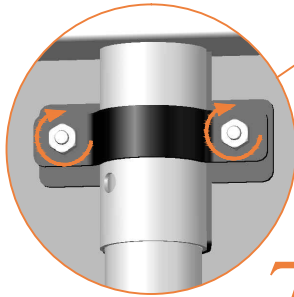
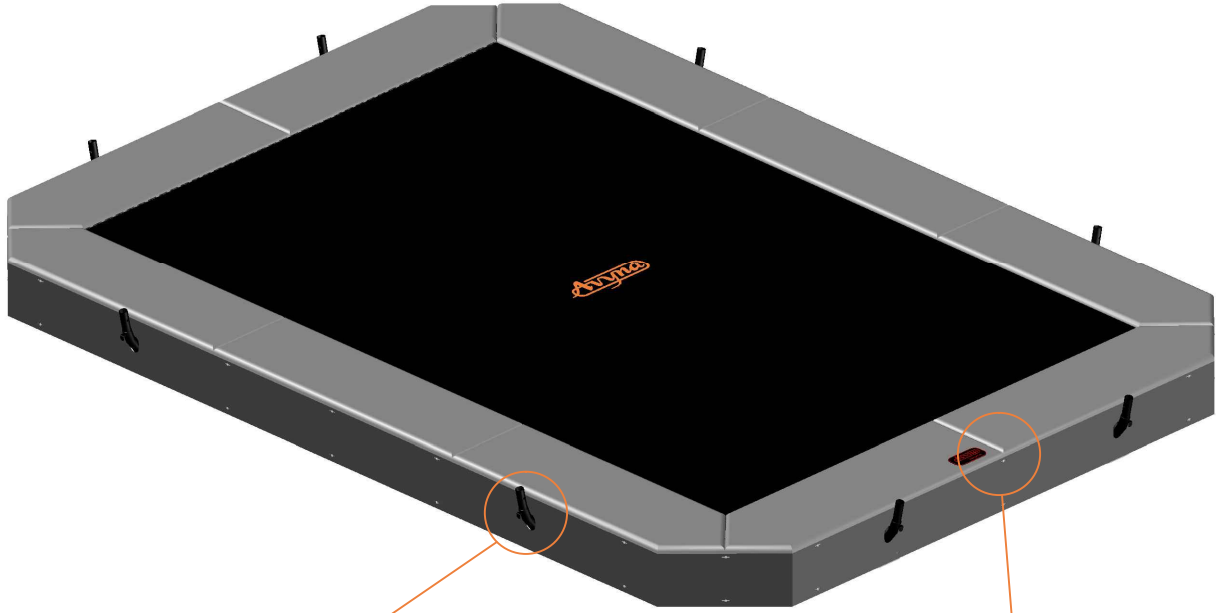
4.



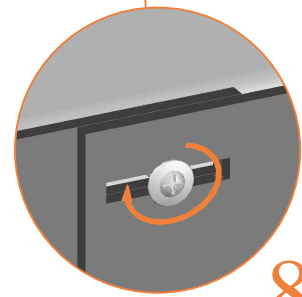
5.



6.

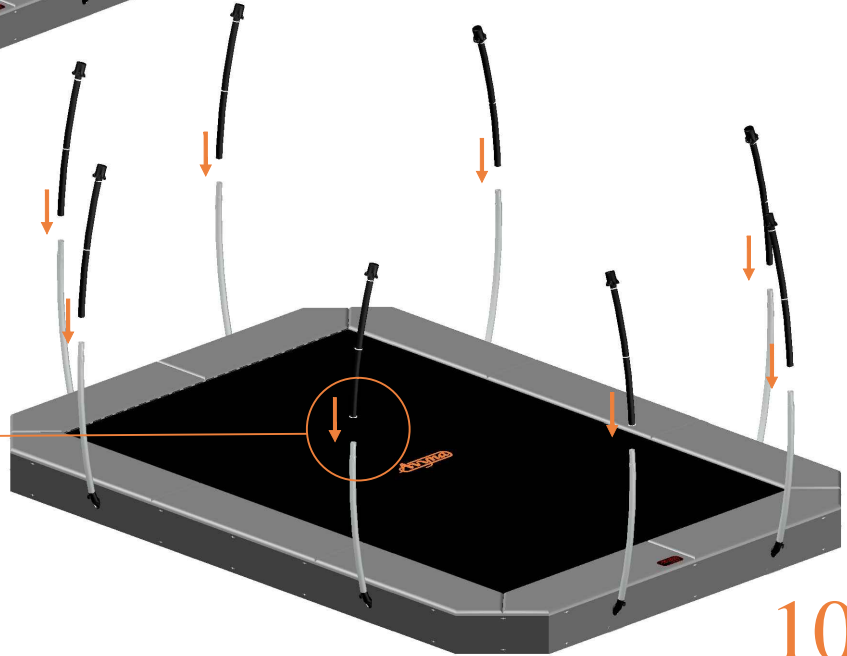
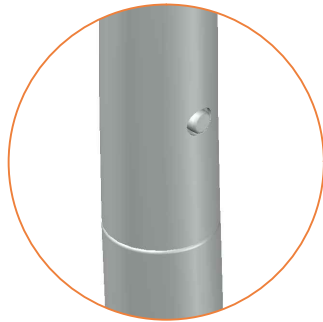
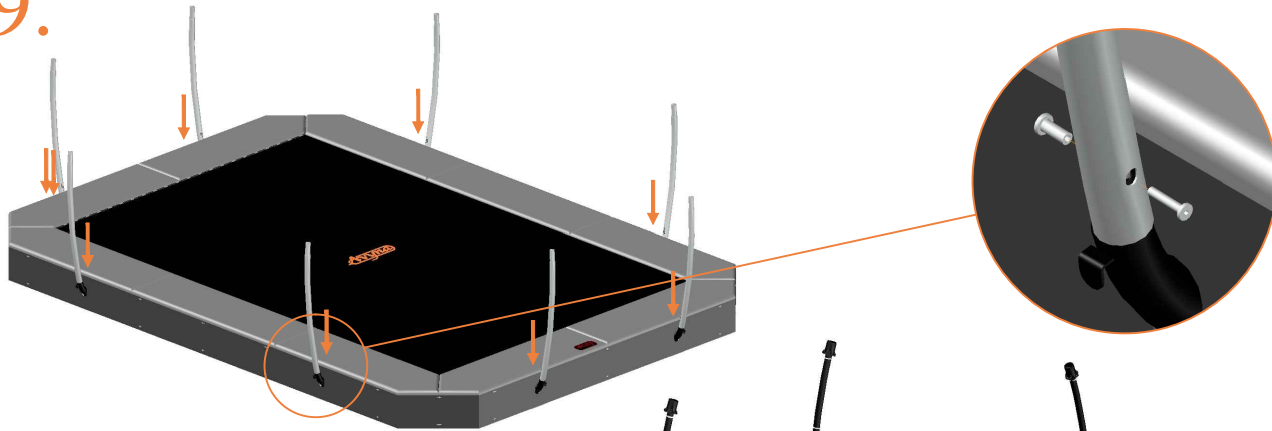


7.



8.

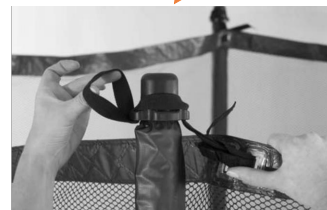
9.



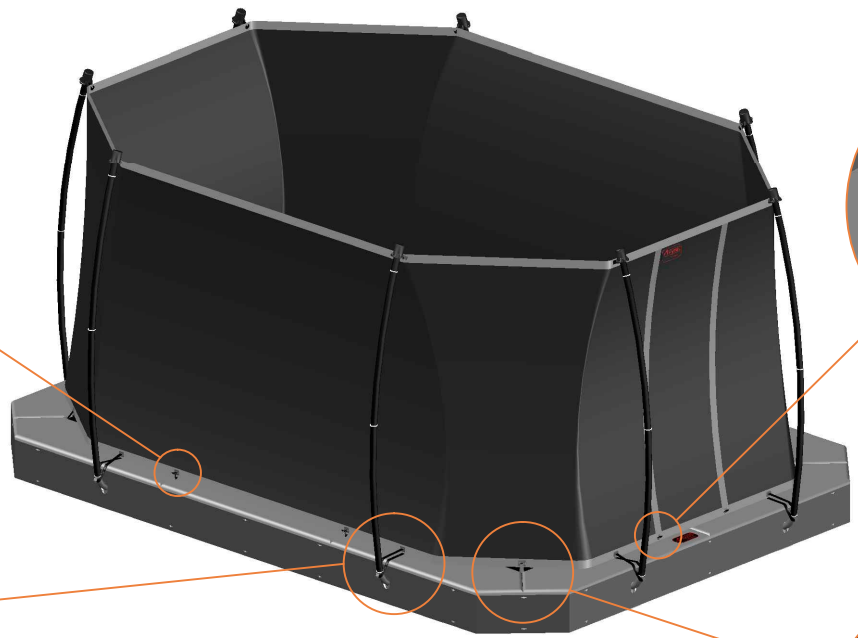
10.

Model 223-1 / 305x225  
Model 234-1 / Model 238-1 / 340x240 / 305x225  
Model 250-1 / 400x240  
Model 252-1 / 520x305

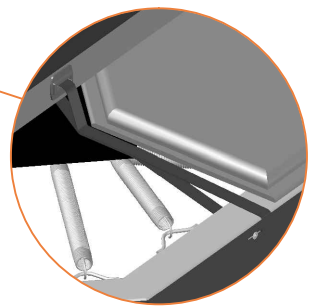
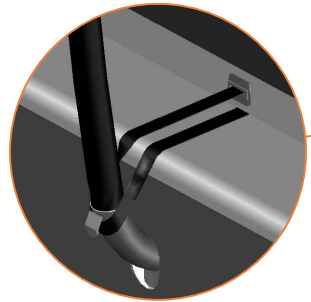
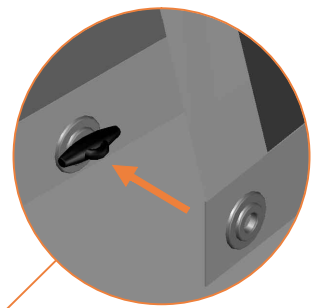
11.



12.



TEPL-ELAS-C



4x TEPL-BAND-LONG

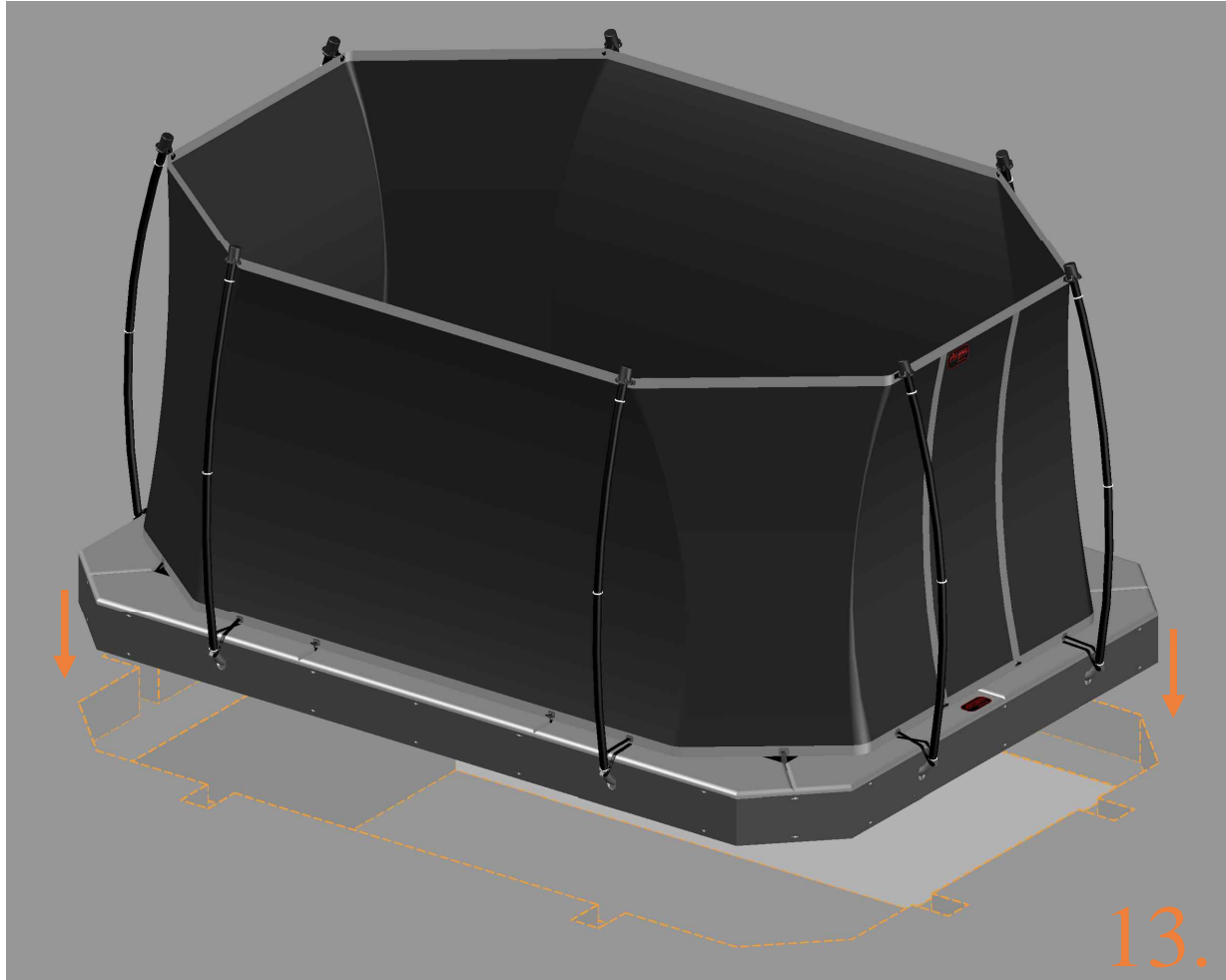
Model 223-1 / 305025  
Model 234-1 / Model 238-1 / 340040 / 305025  
Model 235-1 / 305025  
Model 232-1 / 305025

Model 223-11  
3405225

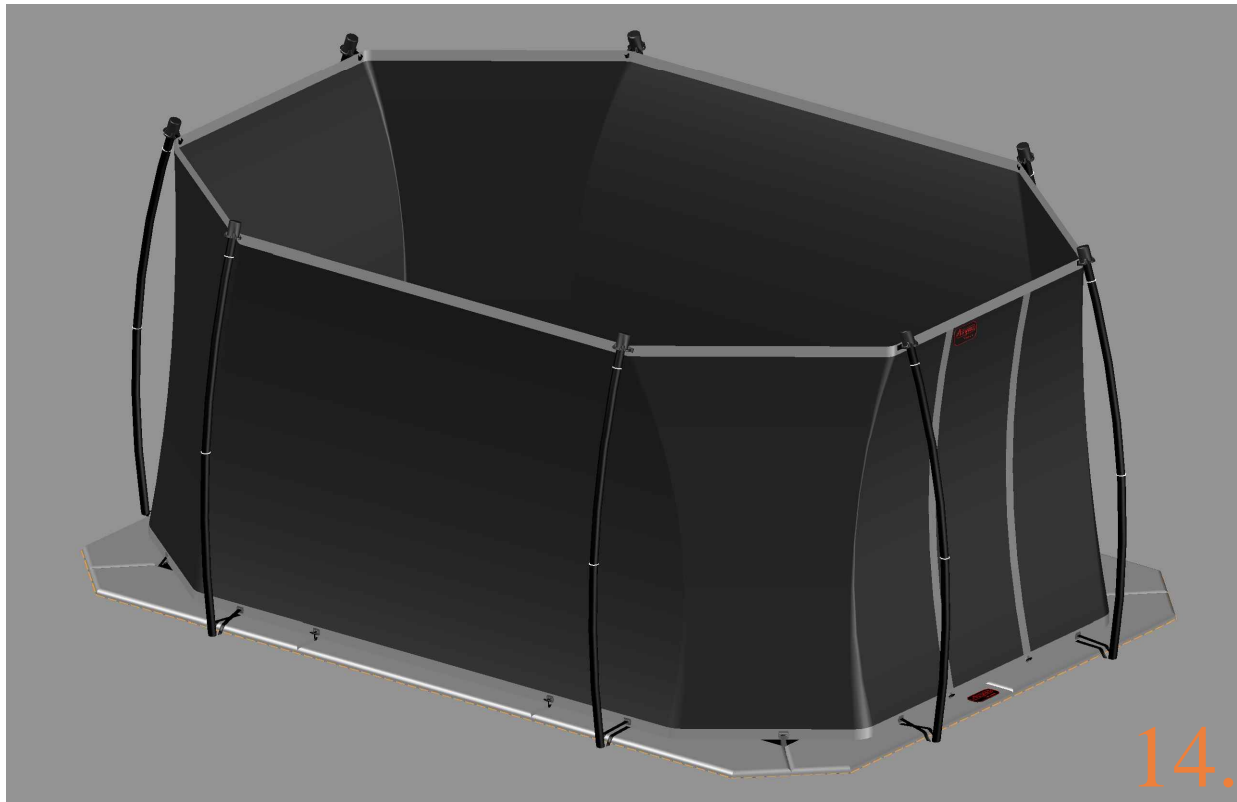
Model 234-11 / Model 238-11  
3405240 / 3050205

Model 255-11  
4530305

Model 352-11  
5200305



13.



Model 352-1  
350x305

Model 350-1  
305x305

Model 231-1 / Model 238-1  
340x240 / 380x225

Model 223-1  
305x225



Sales office: Beneluxbaan 7  
5121 DC Rijen  
The Netherlands  
[sales@avyna.eu](mailto:sales@avyna.eu)  
[www.avyna.eu](http://www.avyna.eu)