

Check here for the latest manual  
Choose your model



Model 12-FL / Model 14-FL





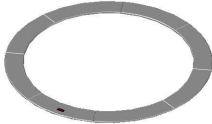








# Round Trampolines

## Assembly manual






# Model 12-fl / Model 14-fl

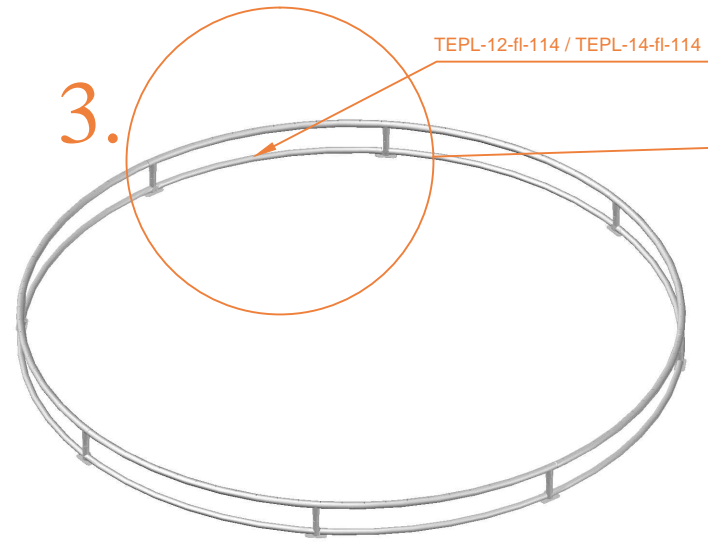
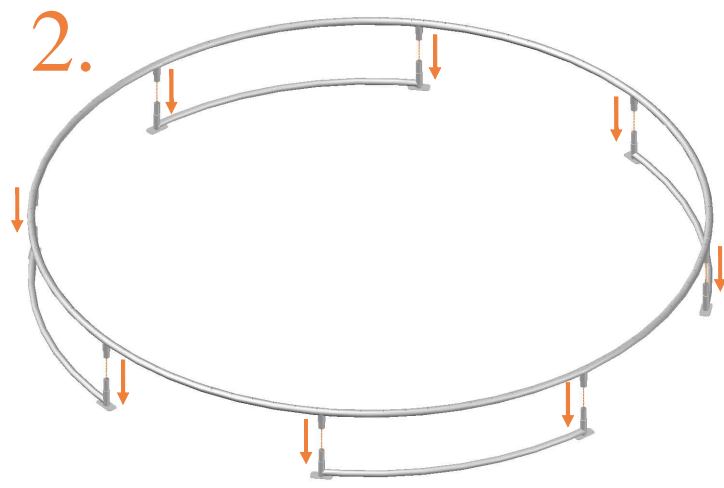
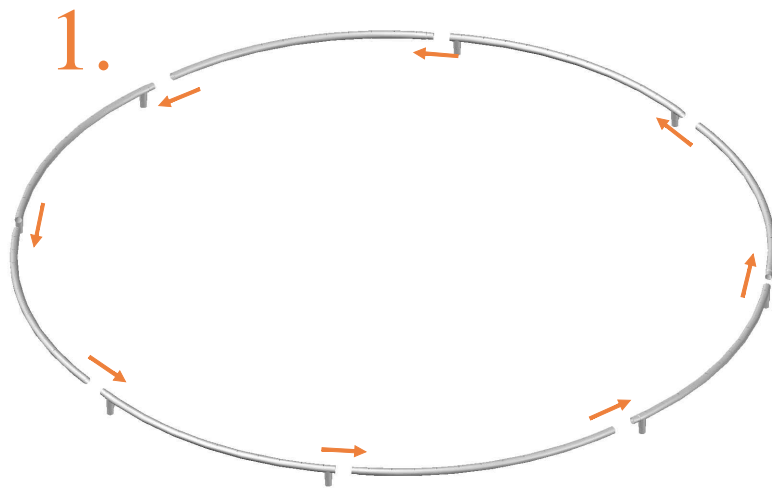


# Model 12-fl / Model 14-fl

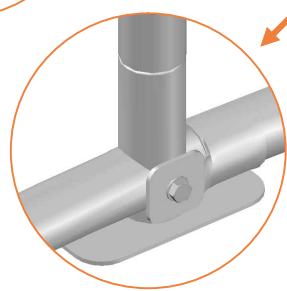
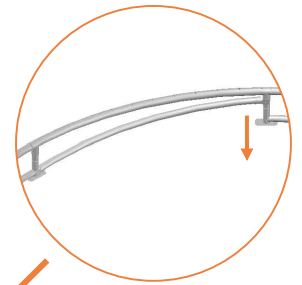
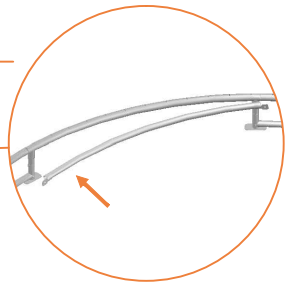
		Model 12-fl ø365cm		Model 14-fl ø430cm	
		Quantity	Part number	Quantity	Part number
Jumping mat		1	TEPL-12-222	1	TEPL-14-222
Galvanized spring L=215mm ø3.2mm		80	TEPL-200-211/A	96	TEPL-200-211/A
Safety pad		1	TEPL-12-333-fl-green or AVGR-12-333-fl-grey or CAM-12-333-fl-camouflage	1	TEPL-14-333-fl-green or AVGR-14-333-fl-grey or CAM-14-333-fl-camouflage
Fastener for safety pad		24	TEPL-ELAS-D	24	TEPL-ELAS-D
Fastener for safety pad		24	TEPL-ELAS-B	24	TEPL-ELAS-B
C-tube		4	TEPL-12-fl-114	4	TEPL-14-fl-114
H-tube		4	TEPL-12-fl-115	4	TEPL-14-fl-115
C-tube		4	TEPL-12-113	4	TEPL-14-113
K-tube		4	TEPL-12-114	4	TEPL-14-114
Tool for spring		1	TOOL-SPRING	1	TOOL-SPRING
Screw		8	M8-16	8	M8-16

## Model 12-fl / Model 14-fl

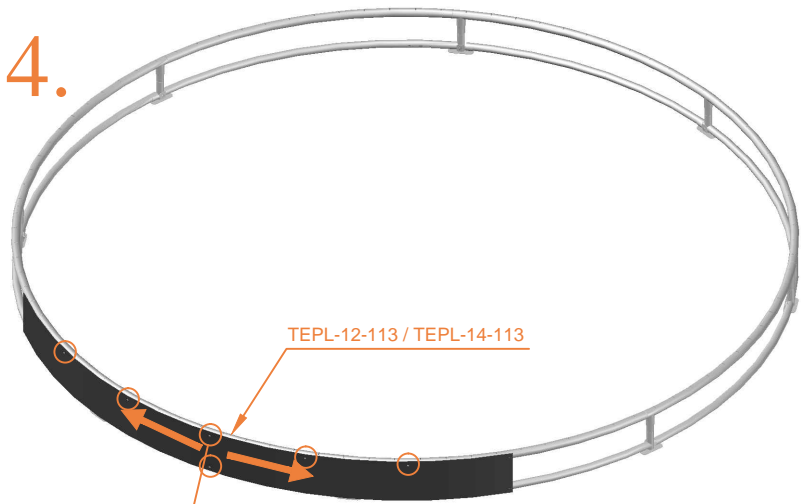
		Model 12-fl ø 365cm		Model 14-fl ø430cm	
		Quantity	Part number	Quantity	Part number
Plastic plate		4	2112-121	4	2114-121
Parker screw		32	M4-16	32	M4-16
Tool connector for ELAS-B		1	TOOL-ELAS-B	1	TOOL-ELAS-B
Measuring rod L=220mm		1	MEASURING-ROD/A	1	MEASURING-ROD/A
Measuring rod L=800mm		1	MEASURING-ROD/B	1	MEASURING-ROD/B
Users Manual		1	208010101	1	208010101
Warning Card		1	208040101	1	208040101
Tie rip for warning card		1	209010102	1	209010102
Safety manual		1	208010301	1	208010301



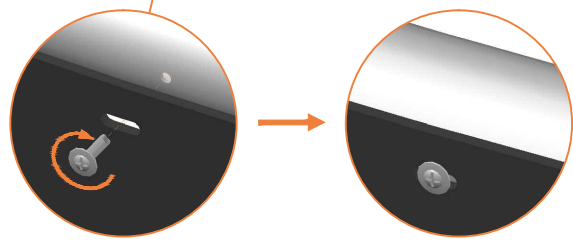
TEPL-12-fl-114 / TEPL-14-fl-114



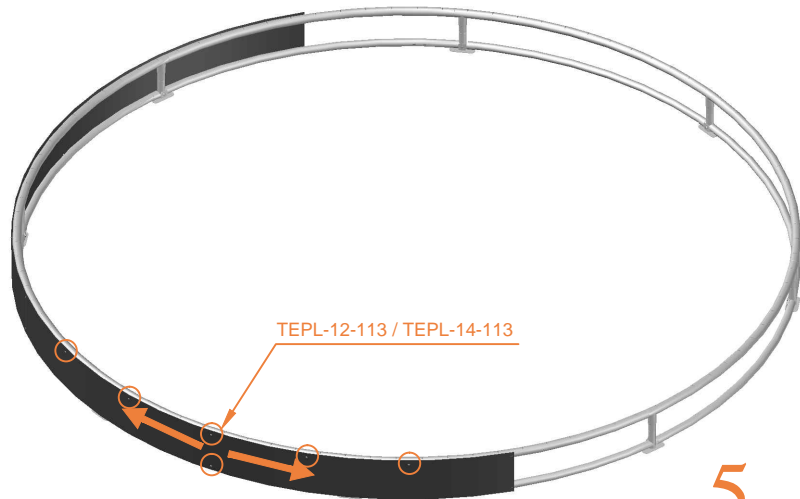
4.



TEPL-12-113 / TEPL-14-113



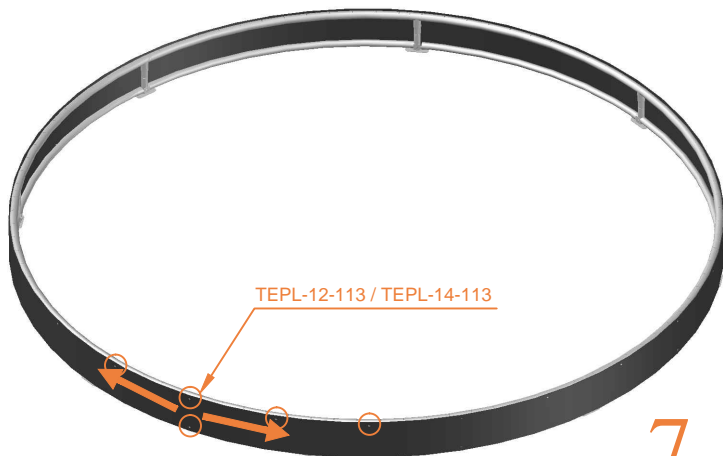
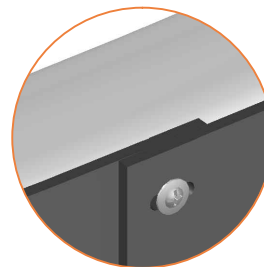
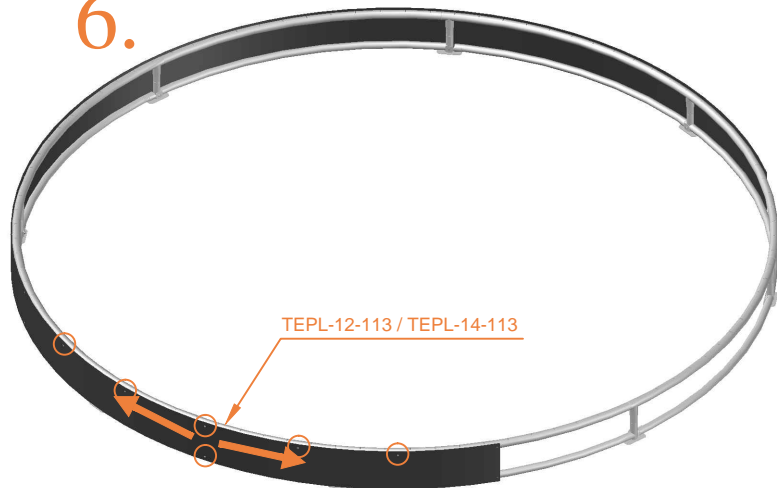
NOTE: if you have a trampoline with enclosure, please go first to page number 15 to install the clamps and go back to this page afterwards



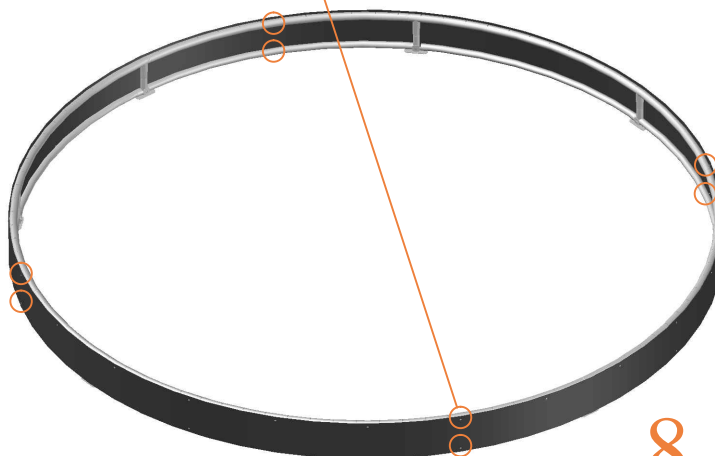
TEPL-12-113 / TEPL-14-113

5.

6.

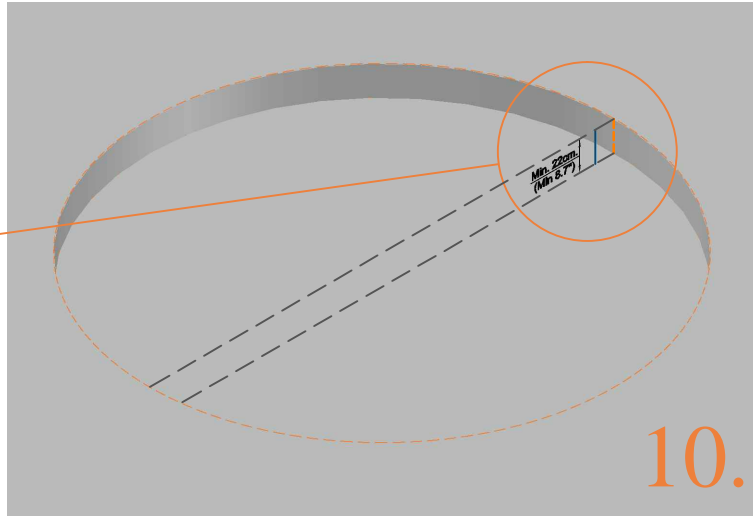
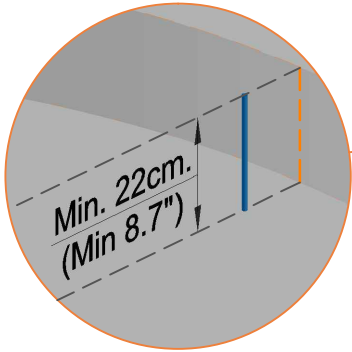
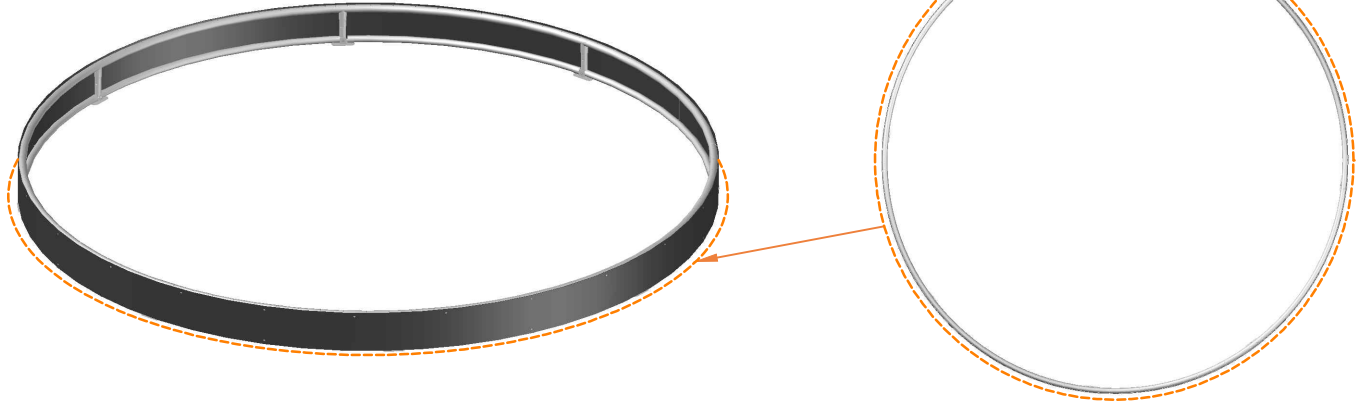


7.



8.

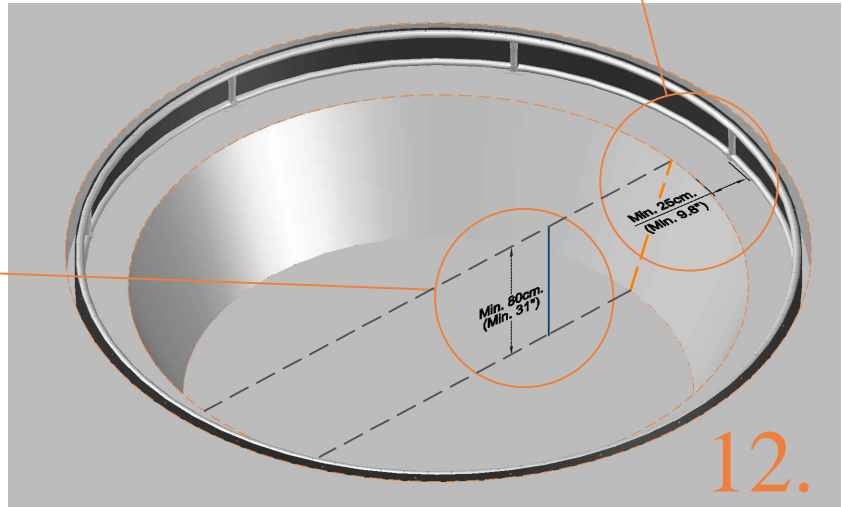
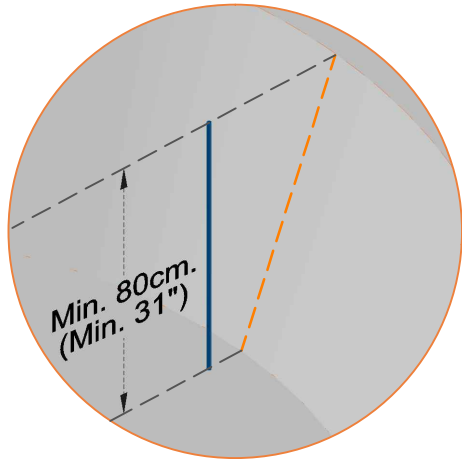
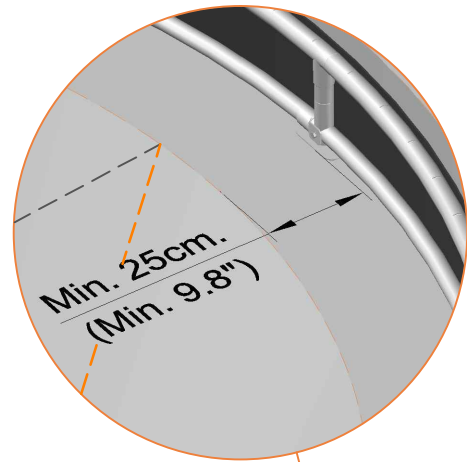
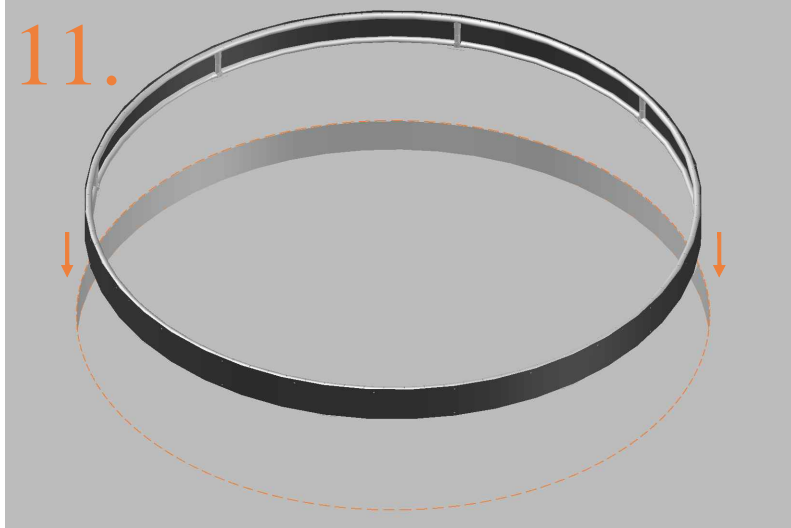
9.



10.



11.



12.

13.



14.

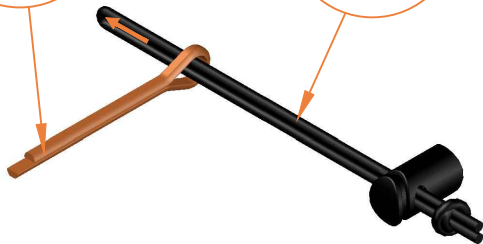


15.

TOOL-ELAS-B

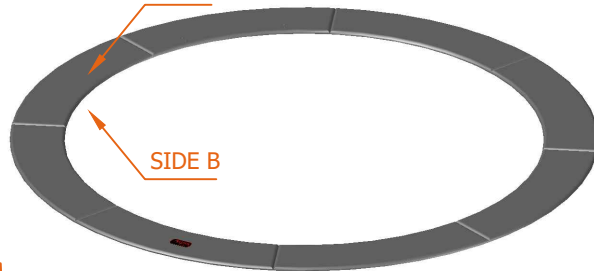


TEPL-ELAS-B



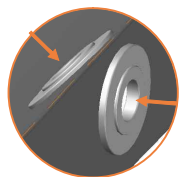
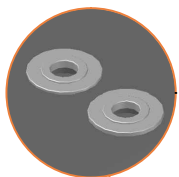
16.

SIDE A

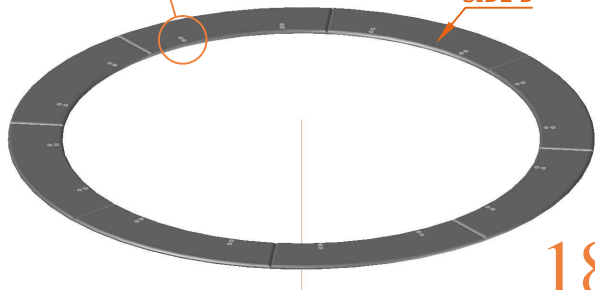


17.

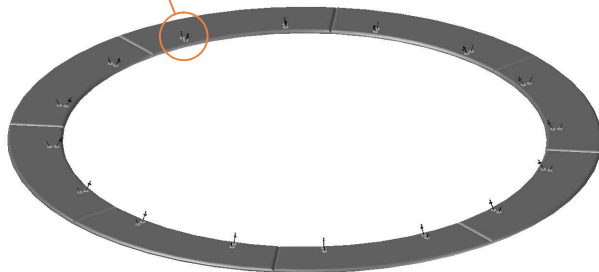
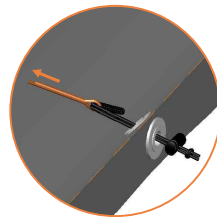
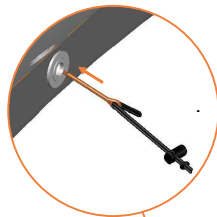
Flip around



SIDE B

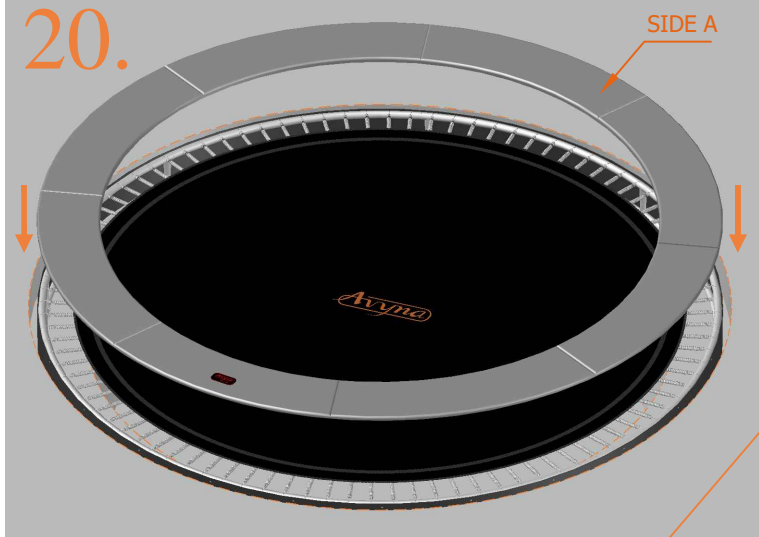


18.

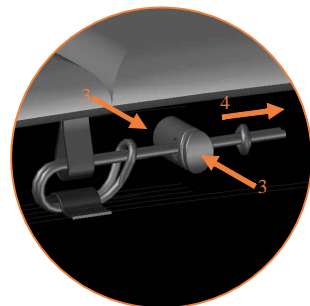
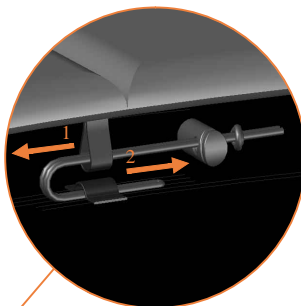


19.

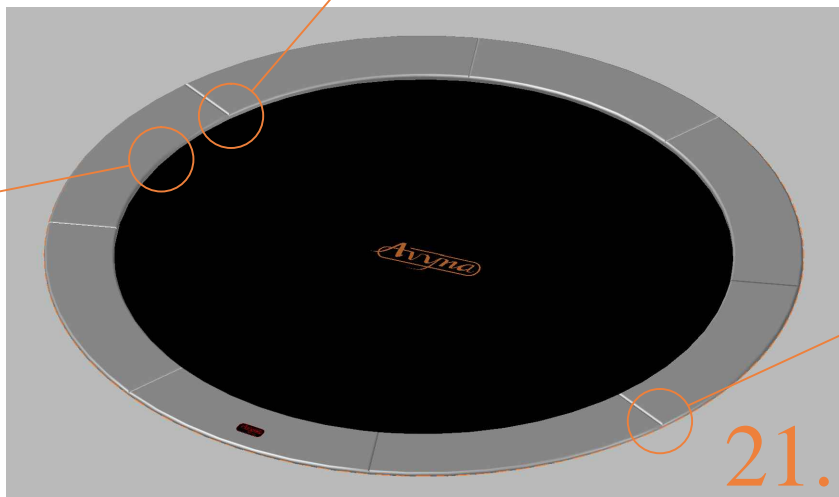
20.



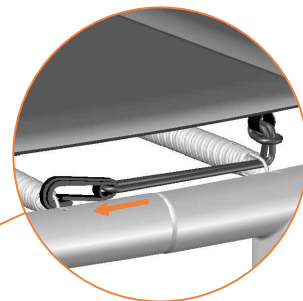
TEPL-ELAS-B



TEPL-ELAS-B

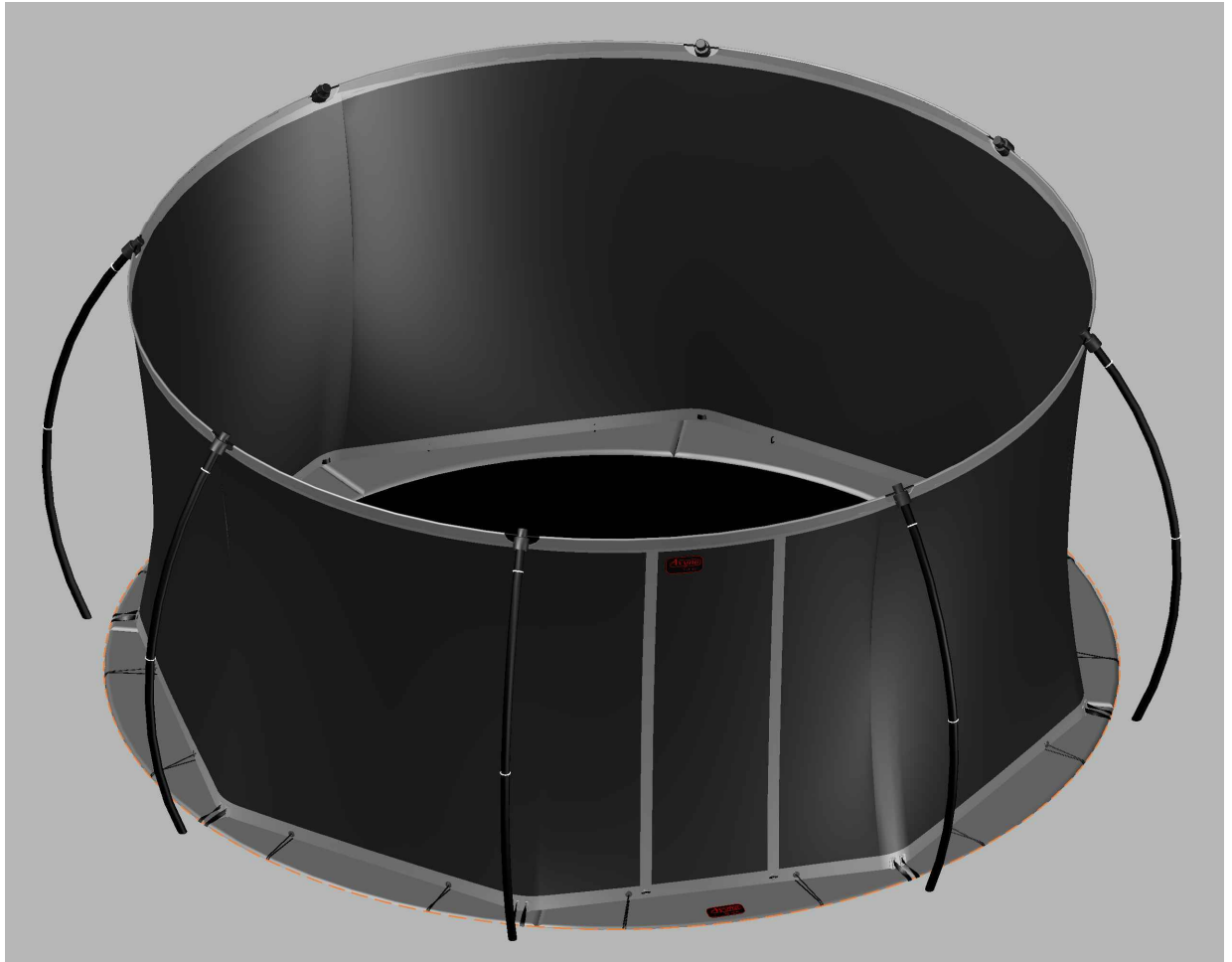


21.



TEPL-ELAS-D

# Safety net for Model 12 - fl / Model 14 - fl
















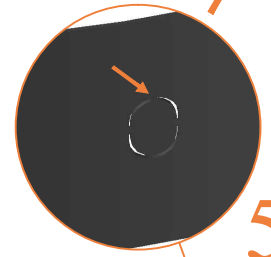
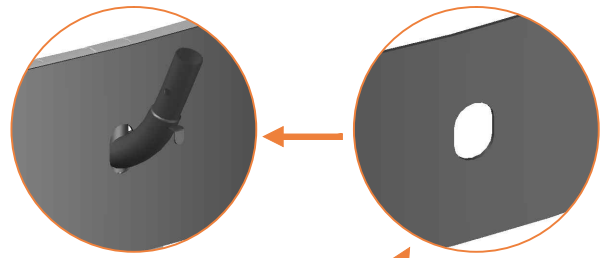
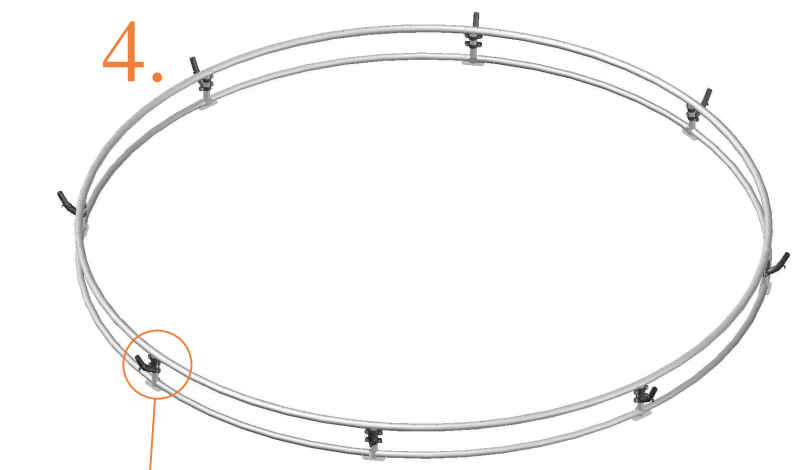
Model 12-fl / Model 14-fl  
#365 / #430

Model 06-fl / Model 10-fl  
#245 / #305

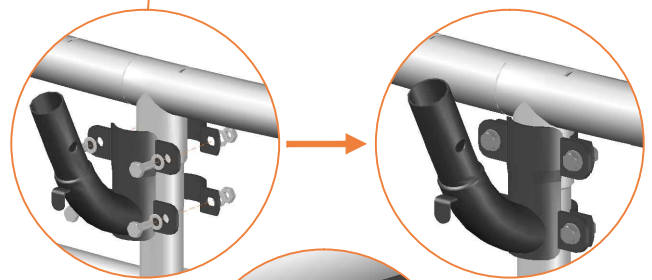
Model 15-fl  
#455

# Safety net for Model 12 - fl / Model 14 - fl

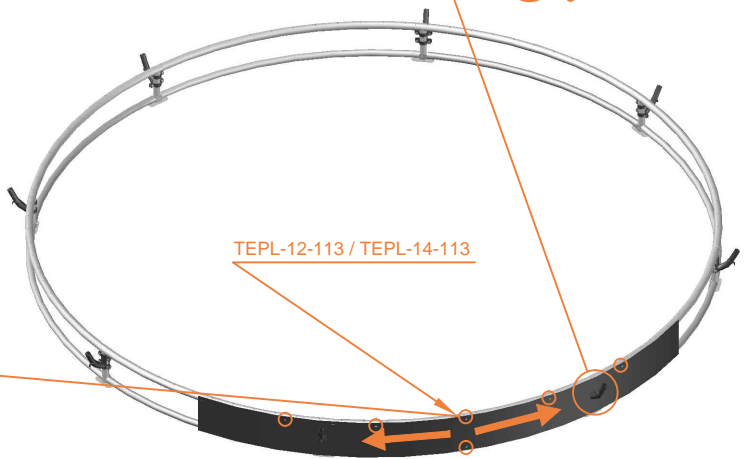
		Model 12-fl ø365cm		Model 14-fl ø430cm	
		Quantity	Part number	Quantity	Part number
Pole with sleeve for safety net		8	AVBL-12-802-A + AVBL-12-802-C	8	AVBL-12-802-A + AVBL-12-802-C
Pole for safety net		8	AVBL-12-802-B	8	AVBL-14-802-B
Clamp		8	CLAMP-TOOL-SN 12	8	CLAMP-TOOL-SN 14
Fiberglass Rod		1set	FIBERGLASS-ROD-12	1set	FIBERGLASS-ROD-14
Fastener for safety net		8	TEPL-ELAS-E	16	TEPL-ELAS-E
Screw M6x30		8	M6x30	8	M6x30
Safety net		1	TEGR-12 (green) or AVGR-12 (grey)	1	TEGR-14 (green) or AVGR-14 (grey)
Straps for safety net		8	TEPL-BAND	8	TEPL-BAND
Closure for safety net		2	TEPL-KNOOPJE	2	TEPL-KNOOPJE
Screw M8		32	M8-25	32	M8-25
Allen key		2	ALLEN-KEY	2	ALLEN-KEY
Wrench		2	WRENCH	2	WRENCH
Cap		8	TOP-CAP-BD	8	TOP-CAP-BD



5.

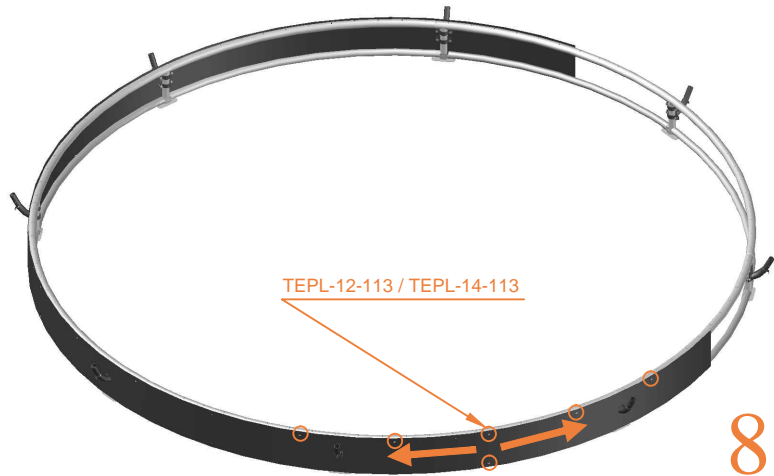
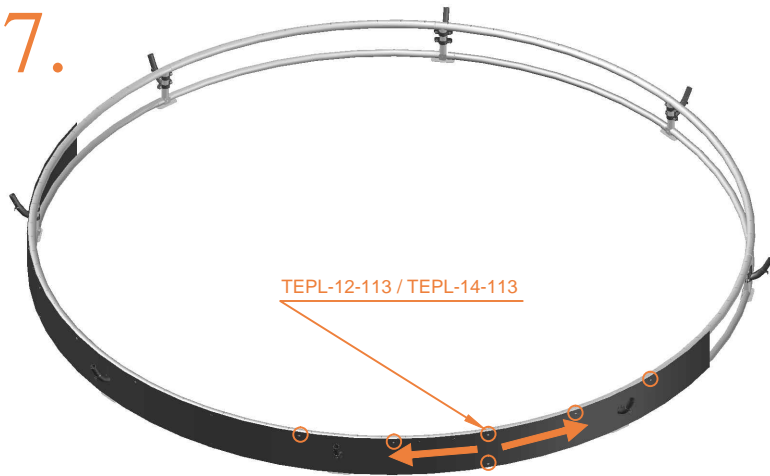


6.



TEPL-12-113 / TEPL-14-113

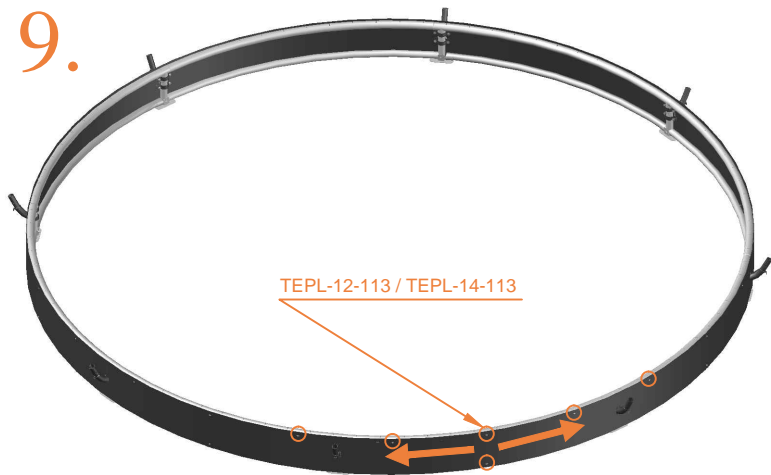
7.



8.



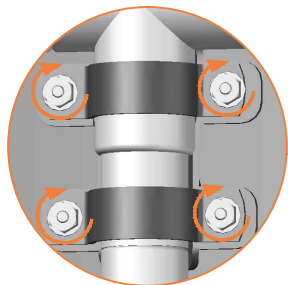
9.



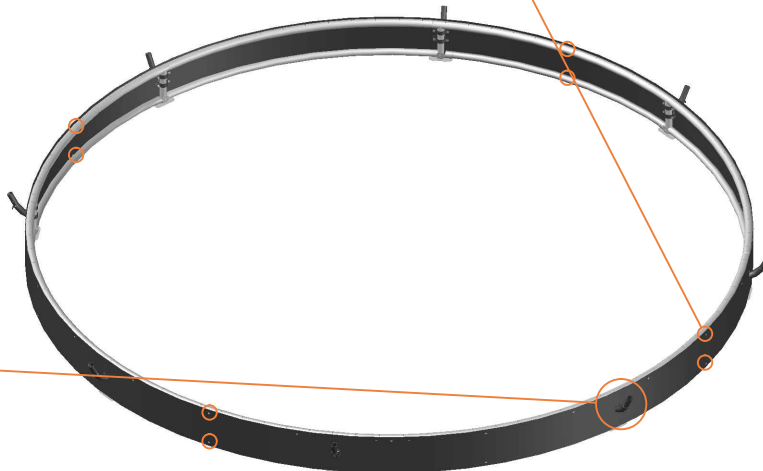
TEPL-12-113 / TEPL-14-113



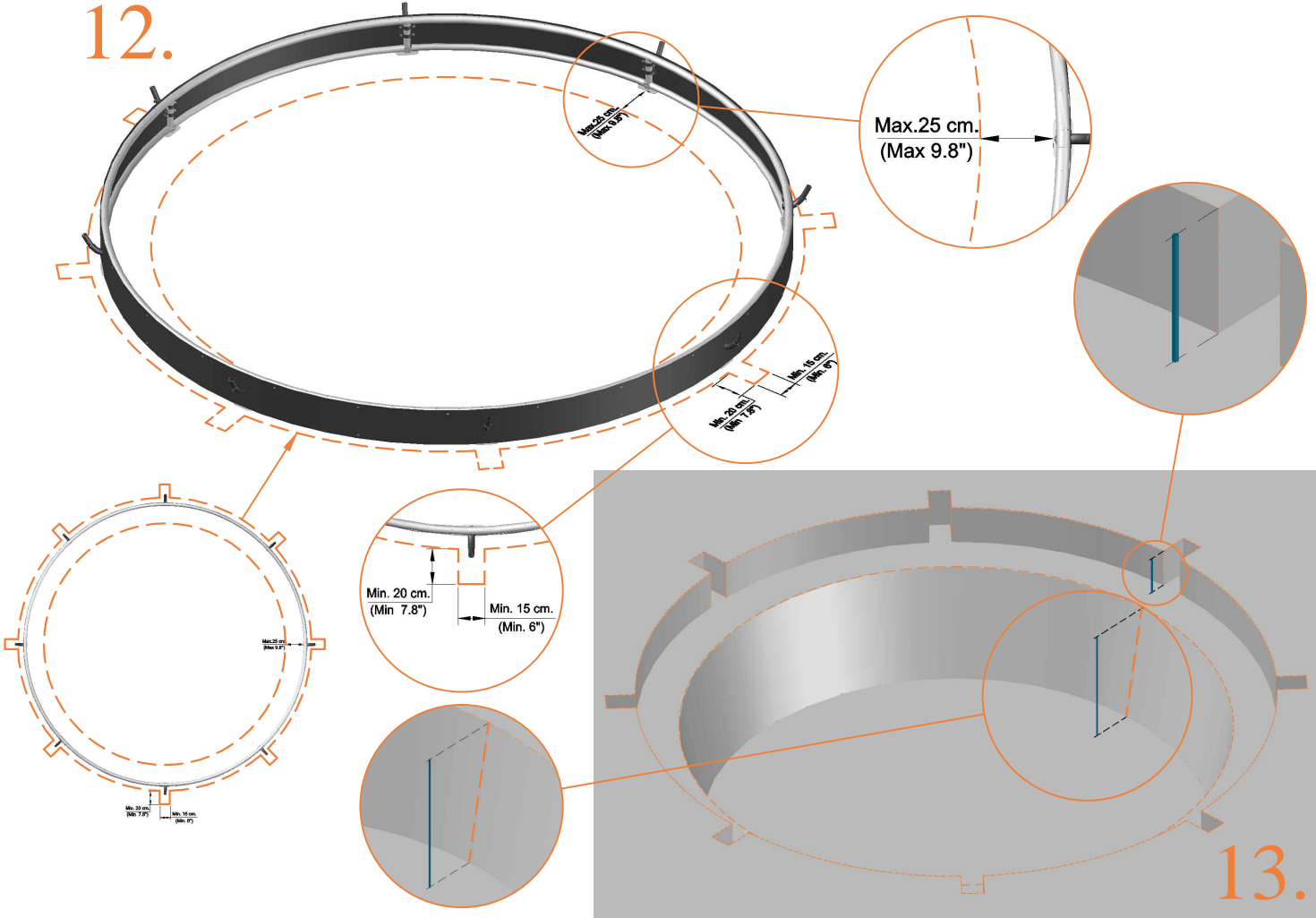
10.



11.



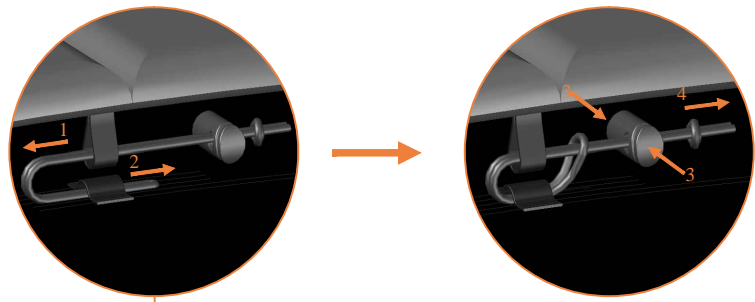
12.



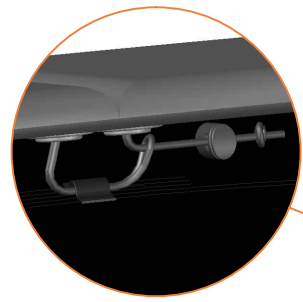
13.



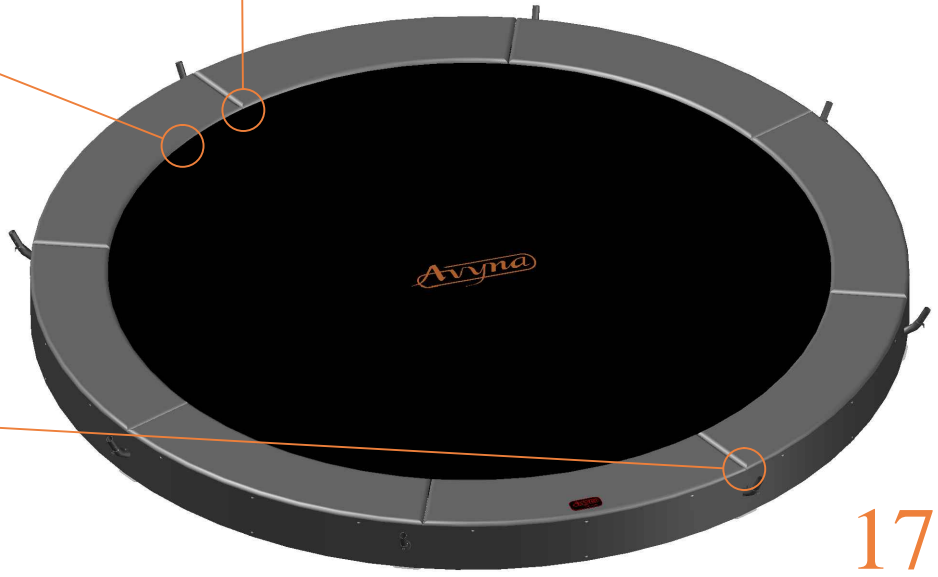
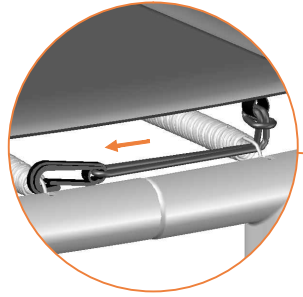
### TEPL-ELAS-B



### TEPL-ELAS-B

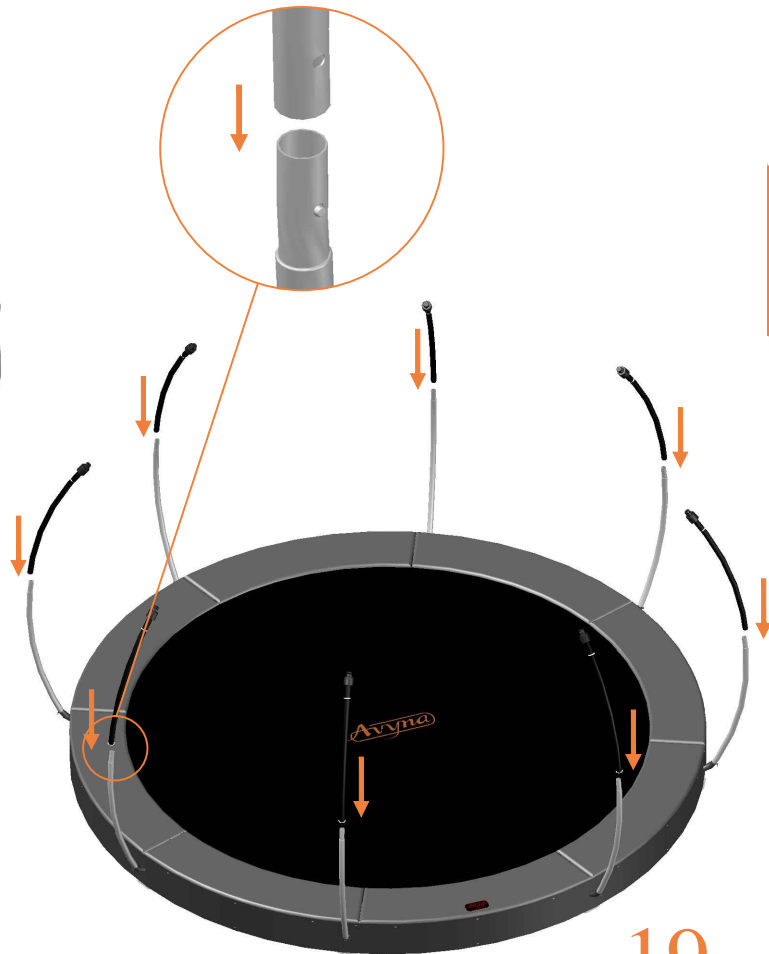
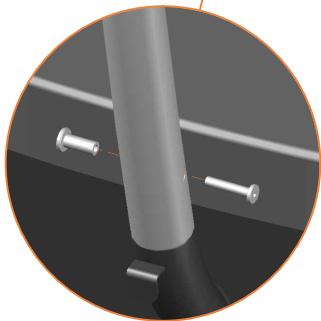
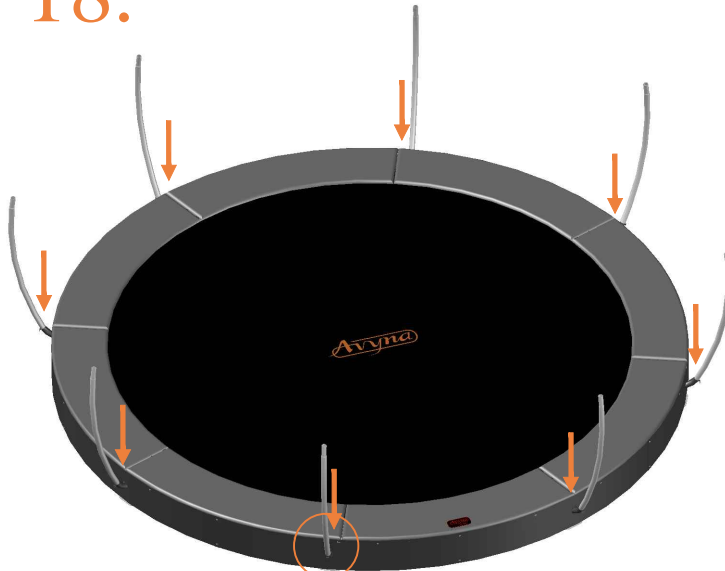


### TEPL-ELAS-D



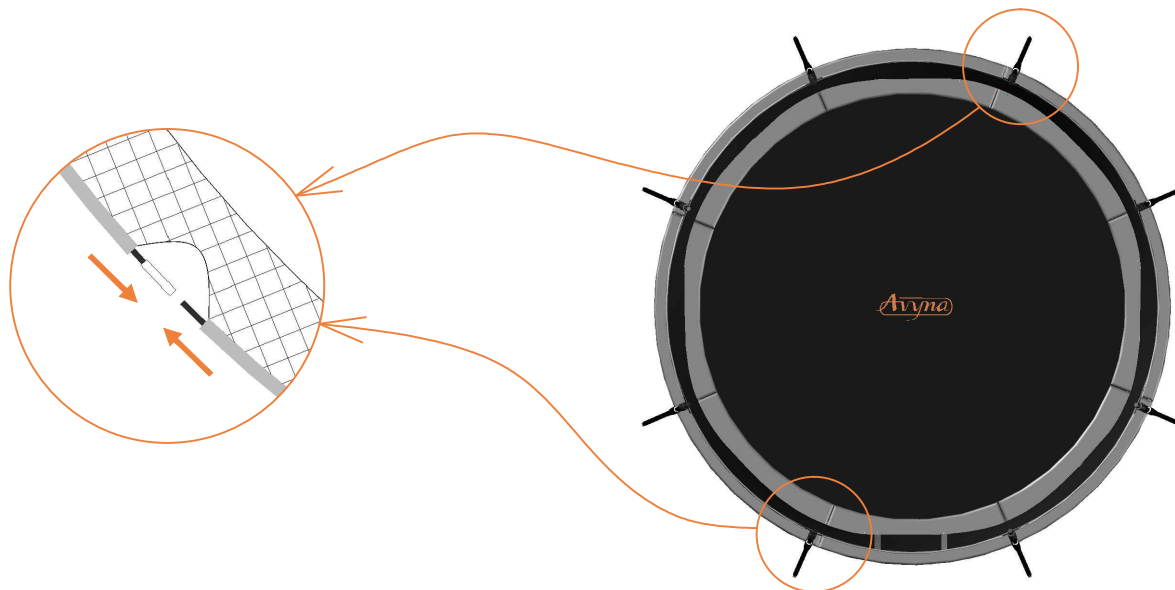
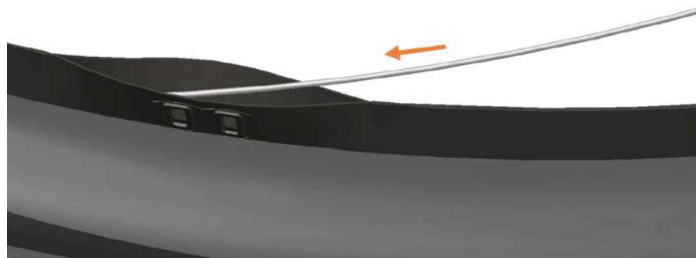
17.

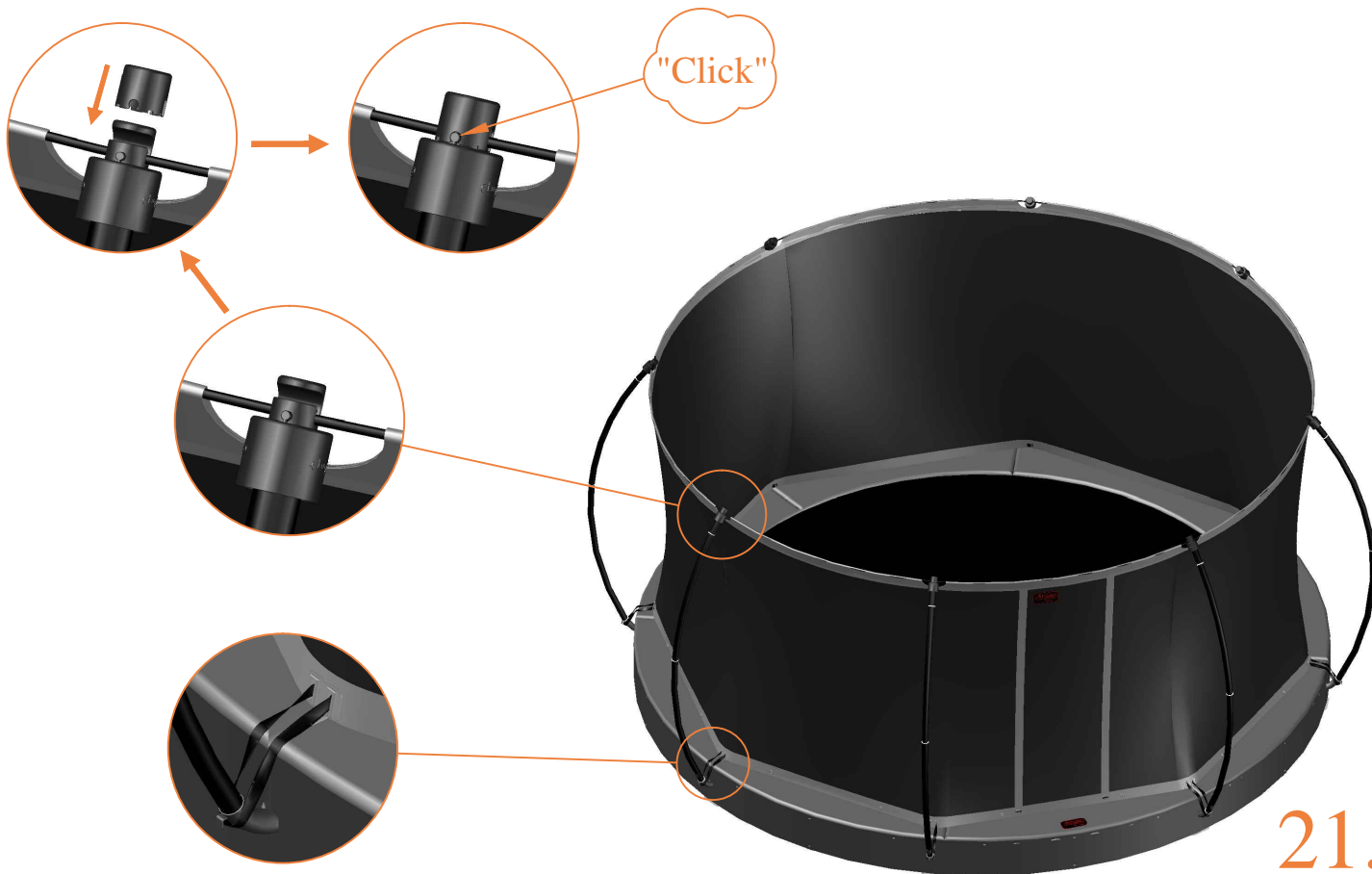
18.



19.

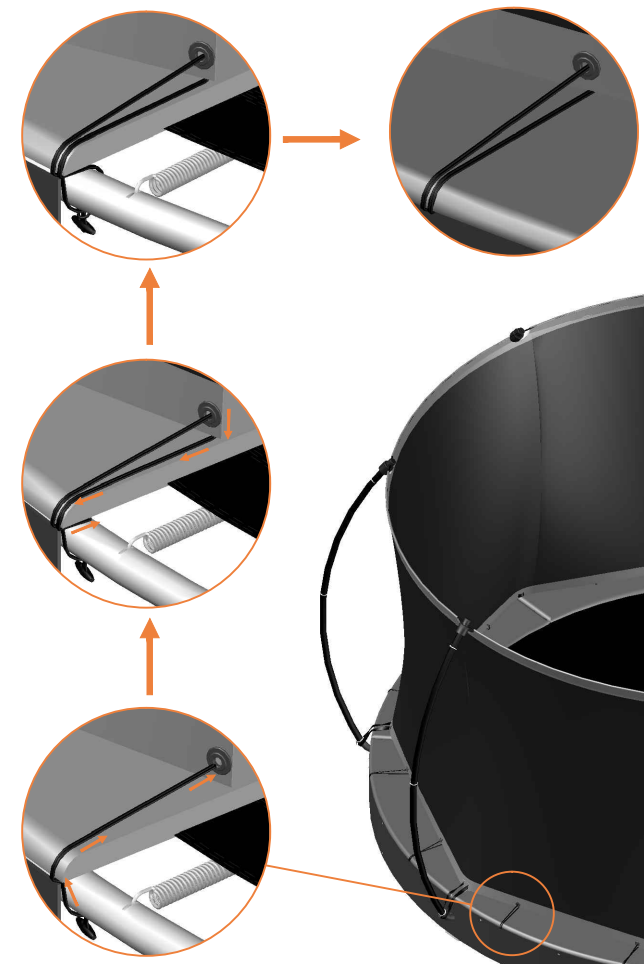
20.



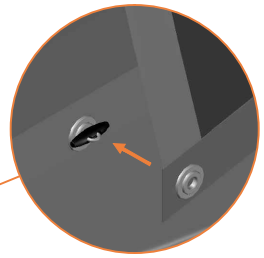
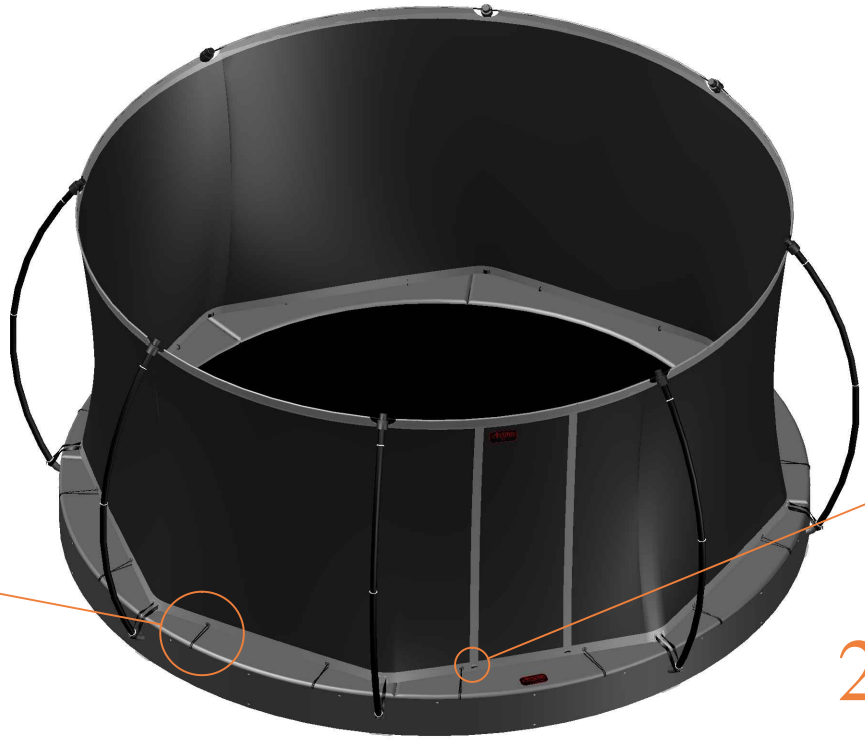


"Click"

21.



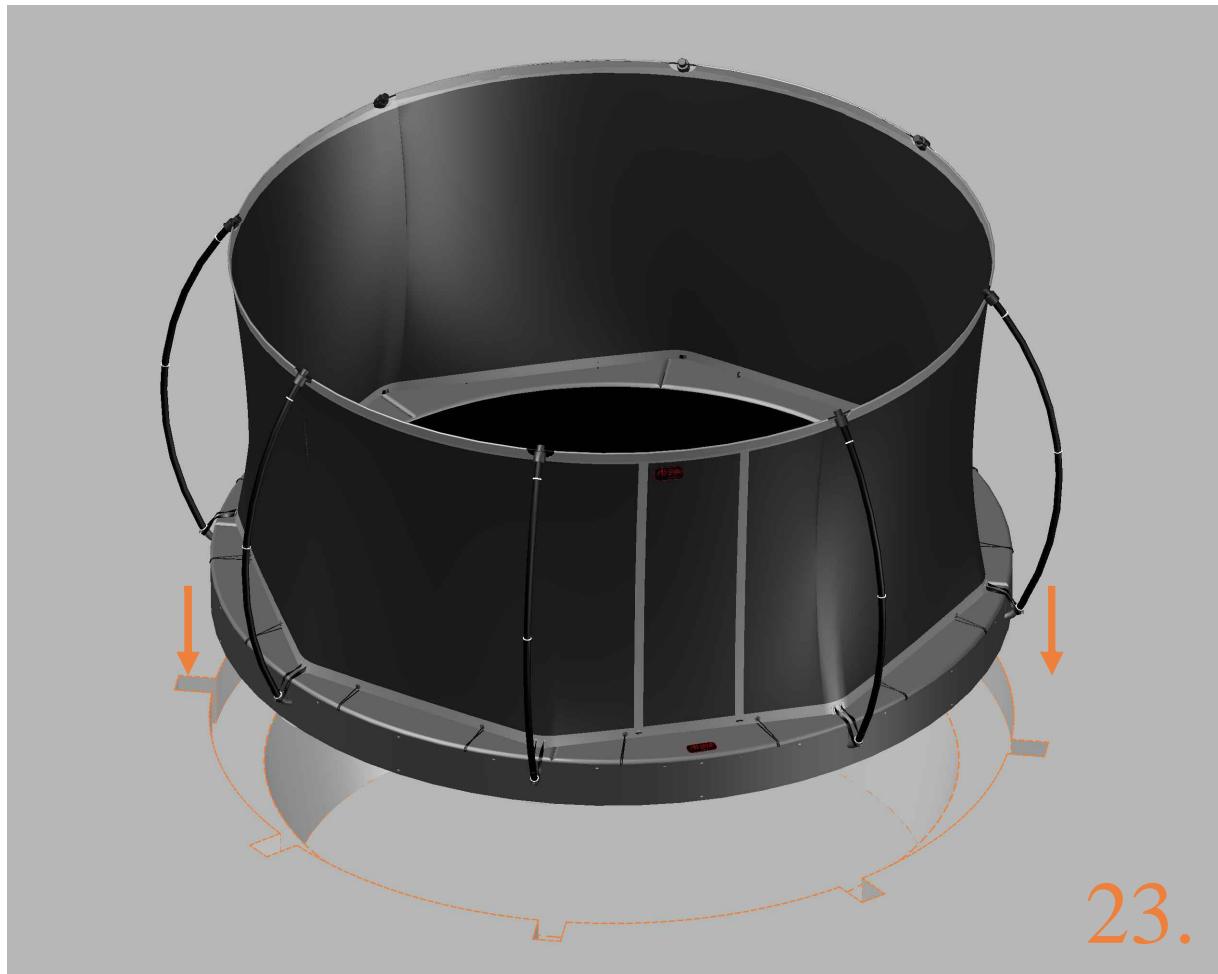
NOTE: this step is optional, it's no issue to omit these bungees.



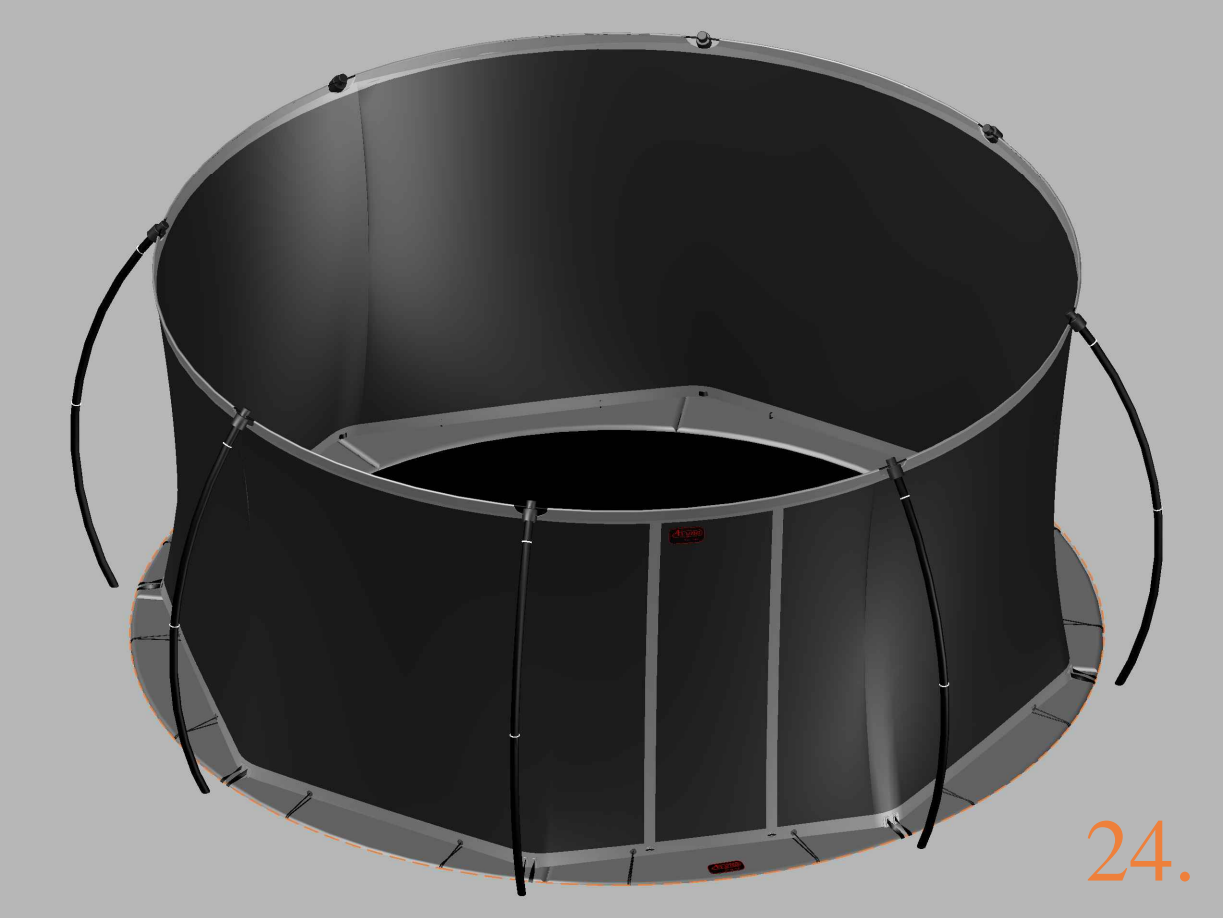
TEPL-ELAS-E

22.





23.



24.





Sales office: Beneluxbaan 7  
5121 DC Rijen  
The Netherlands  
[sales@avyna.eu](mailto:sales@avyna.eu)  
[www.avyna.eu](http://www.avyna.eu)