

Model 209



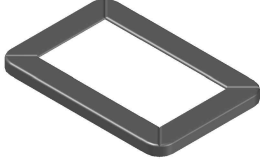




The logo for Ayna, featuring the word "Ayna" in a stylized, orange, cursive font. The letters are outlined in a solid orange color, and the entire word is enclosed within a horizontal orange bar that follows the curve of the letters.A grey silhouette of a person performing a handstand on a trampoline. The person's legs are raised and bent at the knees, with their feet pointing towards the top left. Their arms are extended downwards, supporting their weight on the trampoline. The trampoline's springs are visible as a dense, tangled mass of lines at the bottom of the person's feet.

Round Trampolines


Assembly manual



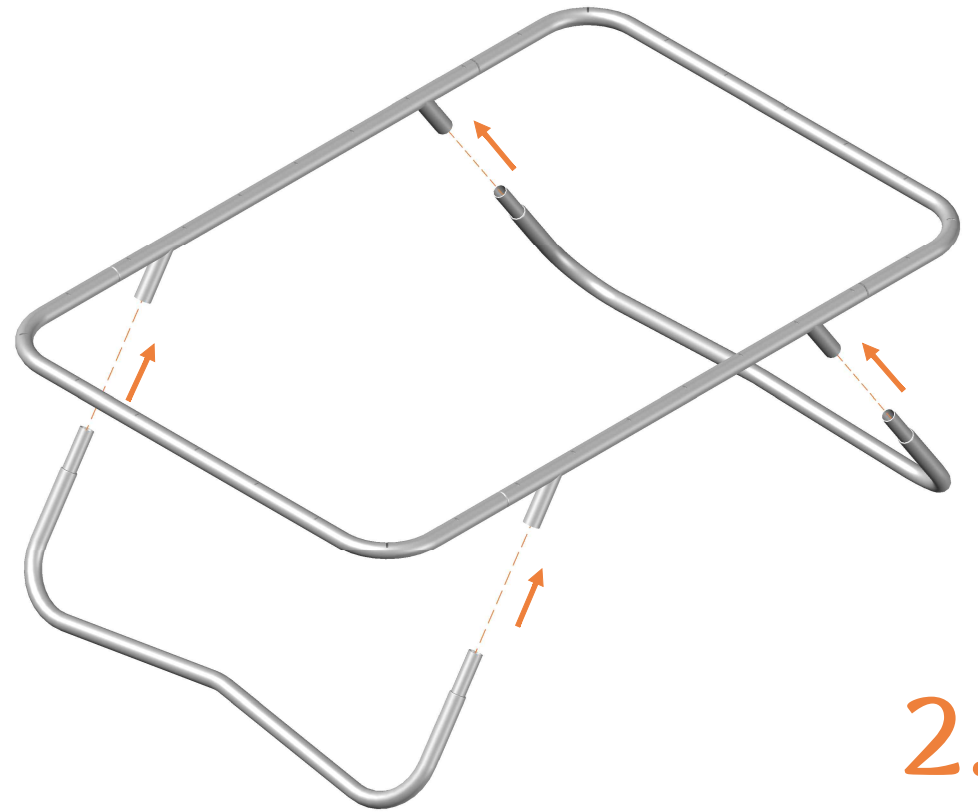
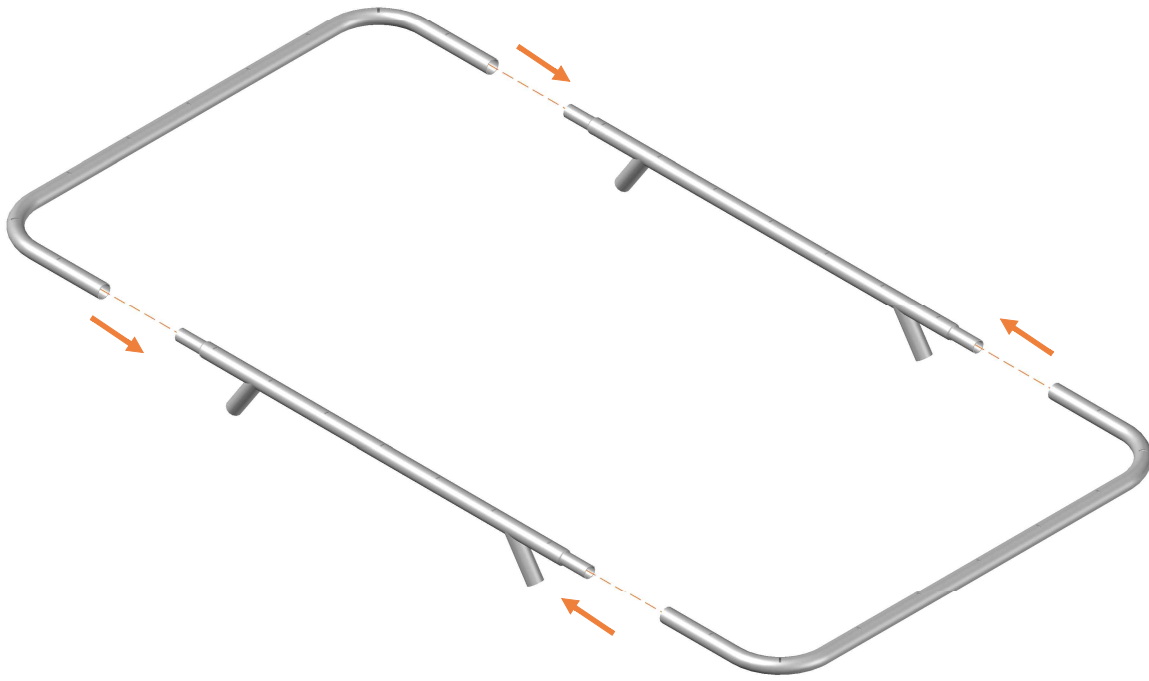
Model 209

Model 209 150x100cm			
	Quantity	Part number	
Jumping mat	1	TEPL-209-222	
Galvanized spring L=90mm Ø3.2mm	32	TEPL-200-211/D	
Safety pad	1	TEPL-209-333 (green) or AVGR-209-333 (gray)	
Fastener for Safety pad	4	TEPL-ELAS	
W-tube	2	TEPL-09-111	
K-tube	2	TEPL-09-114	
U-tube	2	TEPL-09-1141	

Model 209

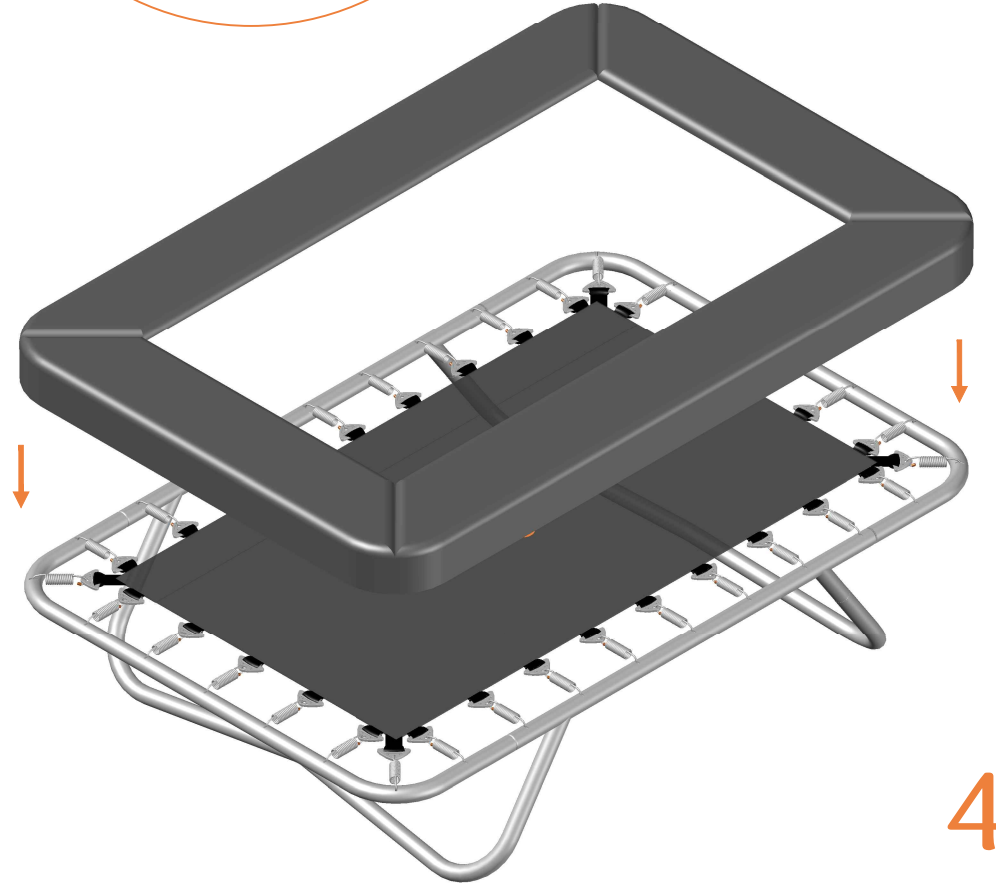
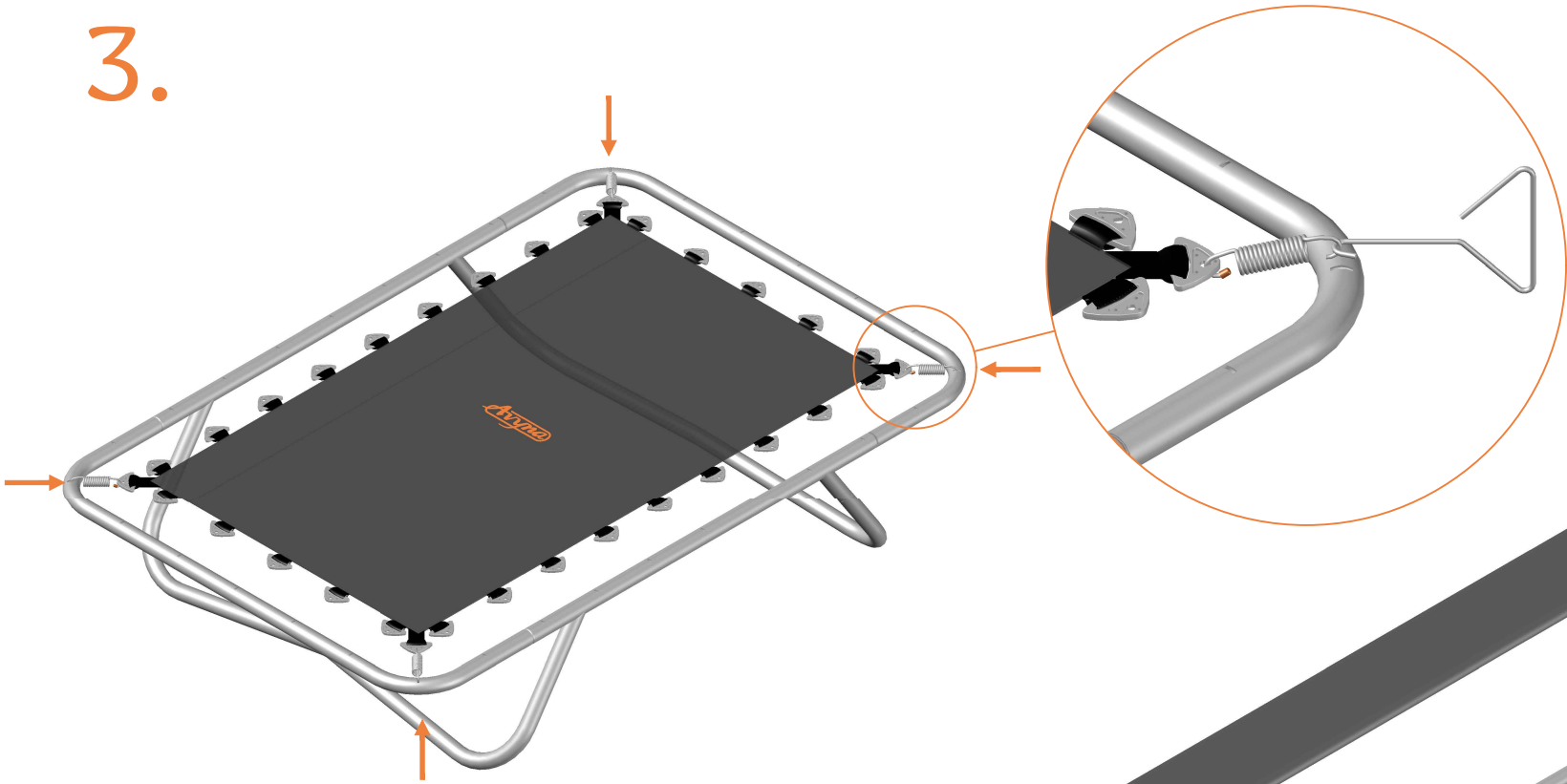
Model 209 150x100cm			
	Quantity	Part number	
Tool for spring	1	TOOL-SPRING	
Users Manual	1	2980002PL	
Warning Card	1	2980301PL	
Tie rip for warning card	1	29990001	

1.



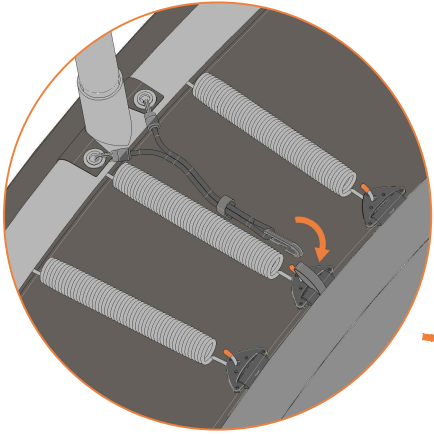
2.

3.



4.

5.



4x



Sales office Beneluxbaan
5121 DC Riën
The Netlands
sales@avyna.eu
www.avyna.eu